

Distributed by:

NELSON JAMESON
INC.

800-826-8302 nelsonjameson.com



Close at hand

Spare parts for Indication, Hygienic Fluid Handling Equipment,
August 2022



1. Indication

The valve control & indication are designed to provide easy and fully technical solutions in any process area. The requirements for total product flexibility and reliability, together with superior performance, are key functions for success within processing areas.



General information	1.1
Indication	1.2
Control	1.3

1.1 General information

Genuine spare parts and service kits	
Genuine spare parts and service kits	1.1.7
Technical data - stainless steel and rubber materials	
Technical Information	1.1.8
360° service portfolio	
360° service portfolio	1.1.10
Service and maintenance training	
Service and maintenance training	1.1.11

Total piece of mind

Genuine spare parts and service kits

Alfa Laval spare parts are engineered and machined for optimal fit with guarantee for superior performance and uptime.

Using Alfa Laval genuine spare parts ensures the lowest possible total cost of ownership over the entire life cycle of your Alfa Laval equipment.

Furthermore the Alfa Laval spare parts meet all certification requirements and include documentation package with full traceability (1935/2004/EC) compliance with hygienic standards USP, FDA, EU-regulations, 3-A, EHEDG, ASME BPE, etc.

Alfa Laval spare parts are available 24/7 through extensive network of channel partners and distribution centres, and you can always contact us for technical service support and training, if needed.

Benefits when buying genuine spare parts:

- Certified materials
- Guaranteed performance - tested in laboratories.
- Maximum uptime – proven reliability.
- Longer maintenance intervals.
- Continuously improvement to meet the highest requirements and hygienic standards.
- 3 years extended warranty on the pumps & valves.

Service kits

Alfa Laval recommends that you buy complete service kits instead of individual parts, as each service kit contain all the spare parts you need for general maintenance.

Furthermore, the complete service kits gives you several other advantages such as:

- Save time - simply order one service kit, rather than a lot of individual items.
- Each service kit has a single part number - less stock numbers to deal with.
- The price of the service kits is less than the total price of the individual items.
- You do not have to carry a large spare parts inventory.
- Service kit for UltraPure products include full Alfa Laval Q-doc package.
- Each service kit contain a small instruction with a QR code, with access to our service & maintenance guidelines and videos.



The right o-ring quality

O-ring compression and swell are very important to be within the design limits of the pump and seal tolerances. If these are not correct, the seal will leak.

The grade of manufacture of the o-rings determines its characteristics:

- Hardness
- Tensile strength
- Compression set
- Swelling

Stainless Steel and Rubber Materials

Technical Information

Stainless steel

Our stainless steel material have the following demands to the contents of the most essential alloys:

Descriptions	Standard	Chrome Cr%	Nickel Ni%	Molybdenum	
				Mo%	Carbon C%
AISI 304	ASTM A270	18.0-20.0	8.0-10.5	0.0	≤ 0.08
AISI 304L	ASTM A270	18.0-20.0	8.0-12.0	0.0	≤ 0.03
AISI 316L	ASTM A270	16.0-18.0	10.0-14.0	2.0-3.0	≤ 0.03
1.4301 (304)	EN 10088-1 (X 5CrNi18-10)	17.0-19.5	8.0-10.5	0.0	≤ 0.07
1.4307 (304L)	EN 10088-1 (X 2CrNi18-9)	17.5-19.5	8.0-10.0	0.0	≤ 0.03
1.4401 (316)	EN 10088-1 (X 5CrNiMo17-12-2)	16.5-18.5	10.0-13.0	2.0-2.5	≤ 0.07
1.4404 (316L)	EN 10088-1 (X 2CrNiMo17-12-2)	16.5-18.5	10.0-13.0	2.0-2.5	≤ 0.03
1.4435 (316L)	EN 10088-1 (X 2CrNiMo18-14-3)	17.0-19.0	12.5-15.0	2.5-3.0	≤ 0.03
1.4571 (316Ti)	EN 10088-1 (X6CrNiMoTi17-12-2)	16.5-18.5	10.5-13.5	2.0-2.5	≤ 0.08

Rubber materials

In order to obtain the longest possible lifetime for rubber seals it is essential to choose the right quality for the actual duty. Consequently when choosing rubber quality, the characteristics of the different rubber types should be considered. All product wetted rubber material are in conformity of FDA.

EPDM rubber (Ethylene Propylene)

EPDM rubber is widely used within the food industry as it is resistant to most products used in this sector. Another advantage is that it may be used to a recommend max. temperatures of 140°C (244°F). However, there is one essential limitation, EPDM is not resistant to organic and non-organic oils and fats.

Actylnitrile Butadiene Rubber, NBR

NBR is the rubber type most frequently used for technical purposes. It is quite resistant to most hydrocarbons, e.g oil, grease and fat. It is sufficiently resistant to diluted lye and nitric acid and may be used to a recommend max. 95°C (203°F). As NBR is attacked by ozone it may not be exposed to ultraviolet rays and should thus be stored so that this is avoided.

Silicone rubber, Q

The most significant quality of silicone rubber is that it can be applied from temperatures below -50°C (-58°F) to approx. + 180°C (356°F) and still keep its elasticity. The chemical resistance is satisfactory to most products. However, undiluted lye and acids as well as hot water and steam may destroy silicone rubber. The resistance to ozone is good.

Fluorine rubber, FPM

FPM is often used when other rubber types are unsuited, especially at high temperatures up to approx. 180°C (356°F). The chemical resistance is good to most products, however hot water, steam, lye, acid and alcohol should be avoided. The resistance to ozone is good.

Hydrogenated actylnitrileButadiene Rubber, HNBR

Mechanically strong and normally resistant to ozone and strong oxidizers, animal and vegetable fats, nonpolar solvents, oils and lubricants, water and aqueous solutions. The recommend max. temperature is 130°C (266°F).

Perfluoroalkoxy polymer, PFA

PFA is very similar to PTFE, but opposite to those PFA is thermo plastic and has minimal porosity. PFA has a very high mechanical strength which makes it a perfect choice when dealing with abrasive products. The PFA seal offers longer service intervals. The recommend max. temperature for the PFA seal is 90°C (194°F).

Product and chemical resistance of flexible rubber materials

The information below is intended as an aid in selecting the best rubber quality for an actual application. It is not possible to state any general lifetime of rubber seals as many factors influence it: chemical attack, temperature, mechanical wear etc. Extreme temperatures, even within the generally accepted limits, may worsen other kinds of attack and thus reduce the lifetime.

Ratings

- 1 = Unsuitable.
- 2 = Limited suitability.
- 3 = Normal suitability.
- 4 = High suitability.
- = Not recommended for other reasons.

The table contains data which have been compiled from the results of our own tests and the recommendations of our raw material suppliers. The data should be considered as recommendations only and will be brought up-to-date from time to time. They are based on constant contact with the specified product.

In case of doubt or lack of information it would be advisable to consult us directly, which will enable us to investigate specific applications.

Product or process	NBR ¹⁾	HNBR ²⁾	EPDM ³⁾	Q ⁴⁾	FPM ⁵⁾	PTFE ⁶⁾
Dairy products (milk, cream)	3	3-4	3-4	3-4	-	3-4
Dairy products (sour milk products)	3	3-4	3-4	3-4	-	3-4
Brewery products (beer, hops etc.)	3	3-4	3-4	1-2	2-3	3-4
Wine and yeast	3	3-4	4	4	2-3	3-4
Animal and vegetable fats	100°C	3	4	1-2	3	4
Water and water solutions	< 70°C	3	4	4	3	2-4
Hot water and steam	< 130°C	1	4	4	2	-
Concentrated fruit juices and ethereal oils	< 100°C	1	-	1	1	3
Non-oxydising acids	< 80°C	1-2	2	3	1-2	2
Oxydising acids	< 80°C	-	2	3	1	2
Weak concentrate of lye	< 100°C	2	3-4	4	2	2
Strong concentrate of lye	< 100°C	1	2-3	3	1	1
Mineral oils	< 110°C	3	4	-	-	4
Aliphatic carburetted hydrogen (hexane)		3	3	1	1	4
Aromatic carburetted hydrogen (benzole)		1	2	1	1	3
Alcohols		1-3	2-3	2-3	3-4	3-4
Ester and ketones		1-2	1-2	1-2	1-2	3-4
Ether		1	2	1	1-3	3-4
Methylene chloride		1	2	1	2-3	3-4
Ozone and atmospheric conditions		1-2	3	4	4	3-4

International designation of flexible rubber materials according to ISO R 1629.

ISO = International standard.

Notes

	Designation of flexible rubber materials	Abbreviation symbol
1)	Nitrile rubber	N
2)	Hydrogenated acrylonitrile rubber	H
3)	Ethylene propylene rubber	E
4)	Silicone rubber	Q
5)	Fluorinated rubber	F
6)	Polytetrafluor ethylene	

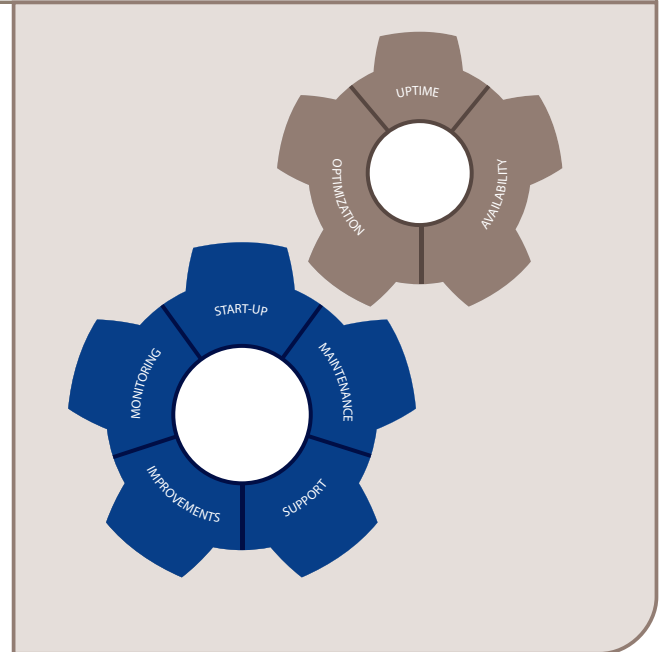
Services that extend performance

360° service portfolio

Alfa Laval's expert service is always on hand through our global network. Alfa Laval also offers a wide range of time-saving tools and resources to secure performance, making it easy to configure, size, and optimize Alfa Laval hygienic equipment.

Alfa Laval Service offers a broad range of spare parts, equipment, and services covering the entire equipment life cycle from start-up, support and maintenance to improvements and monitoring. We are committed to ensuring maximum uptime, continuous optimization of your customers' processes, Alfa Laval service kits and top quality spare parts, designed for durability and performance, are always available. We secure that Alfa Laval equipment remains in compliance with certificates and legal requirements in your market.

Alfa Laval Service maximizes the reliability and uptime of Alfa Laval equipment. The result is superior performance throughout the equipment life cycle to give you and your customers a competitive edge. Together with our global service network we can help secure long-term performance.



Maximize the reliability and uptime of your Alfa Laval equipment

Service and maintenance training

Objective

The objective of this training is to get “hands-on” training in maintenance and troubleshooting for key components from the Alfa Laval Hygienic Equipment portfolio, enabling you to do this out in the field.

Content

The training will focus on how to service, maintain, disassemble and rebuild the following Alfa Laval key components in accordance with the Alfa Laval service guidelines:

Valves

- Alfa Laval Butterfly Valves
- Alfa Laval Single Seat Valves
- Alfa Laval Unique Mixproof Valves
- Alfa Laval SMP-BC Mixproof Valves
- Alfa Laval CPM Valve

Automation

- Alfa Laval ThinkTop
- Alfa Laval ThinkTop Basic
- Alfa Laval IndiTop

Pumps

- Alfa Laval LKH Pump
- Alfa Laval SolidC Pumps
- Alfa Laval SRU Pumps
- Alfa Laval SX Pumps

Tank Equipment

- Alfa Laval Rotary Jet Heads
- Alfa Laval EnsaFoil Agitators

There will be a focus on Alfa Laval Service Kits, preventive maintenance, and a structured way of doing trouble shooting

Qualifications

- Basic knowledge of the Alfa Laval Hygienic Equipment portfolio
- Basic English skills

Participants

Maintenance and service engineers, technical support.

Dates

Training will be held twice a year.

Questions regarding the training?

You are welcome to contact your local Alfa Laval representative.



1.2 Indication

The valve control & indication are designed to provide easy and fully technical solutions in any process area. The requirements for total product flexibility and reliability, together with superior performance, are key functions for success within processing areas.

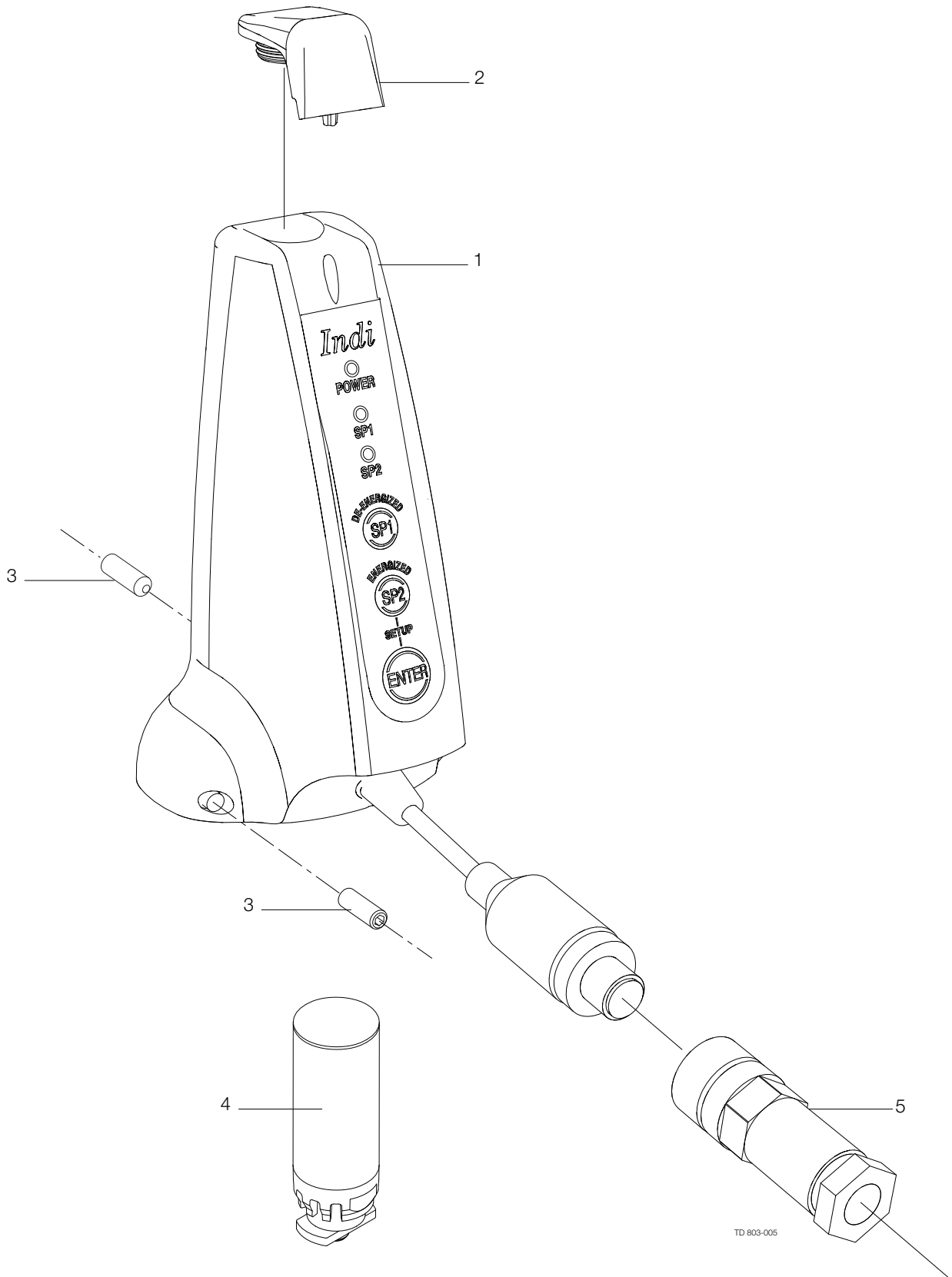


Spare parts

IndiTop	1.2.14
Indication for Unique valves	1.2.16
Micro-switch unit for air actuator LKLA	1.2.18
Hall proximity switch unit	1.2.20
Micro-switch unit for air actuator LKLA ø133	1.2.22
Proximity switches for air actuator LKLA ø133	1.2.24
Reed type double signaling unit for LKAP valve	1.2.26
Bracket system - LKAP, SMP-EC, SRC, SRC-LS, ARC, SMP-BC, SMP-SC, LKLA-T, ARC-SB, SMP-BCA, SMP-TO, MH, SBV and Unique	1.2.28

Spare parts for obsolete products

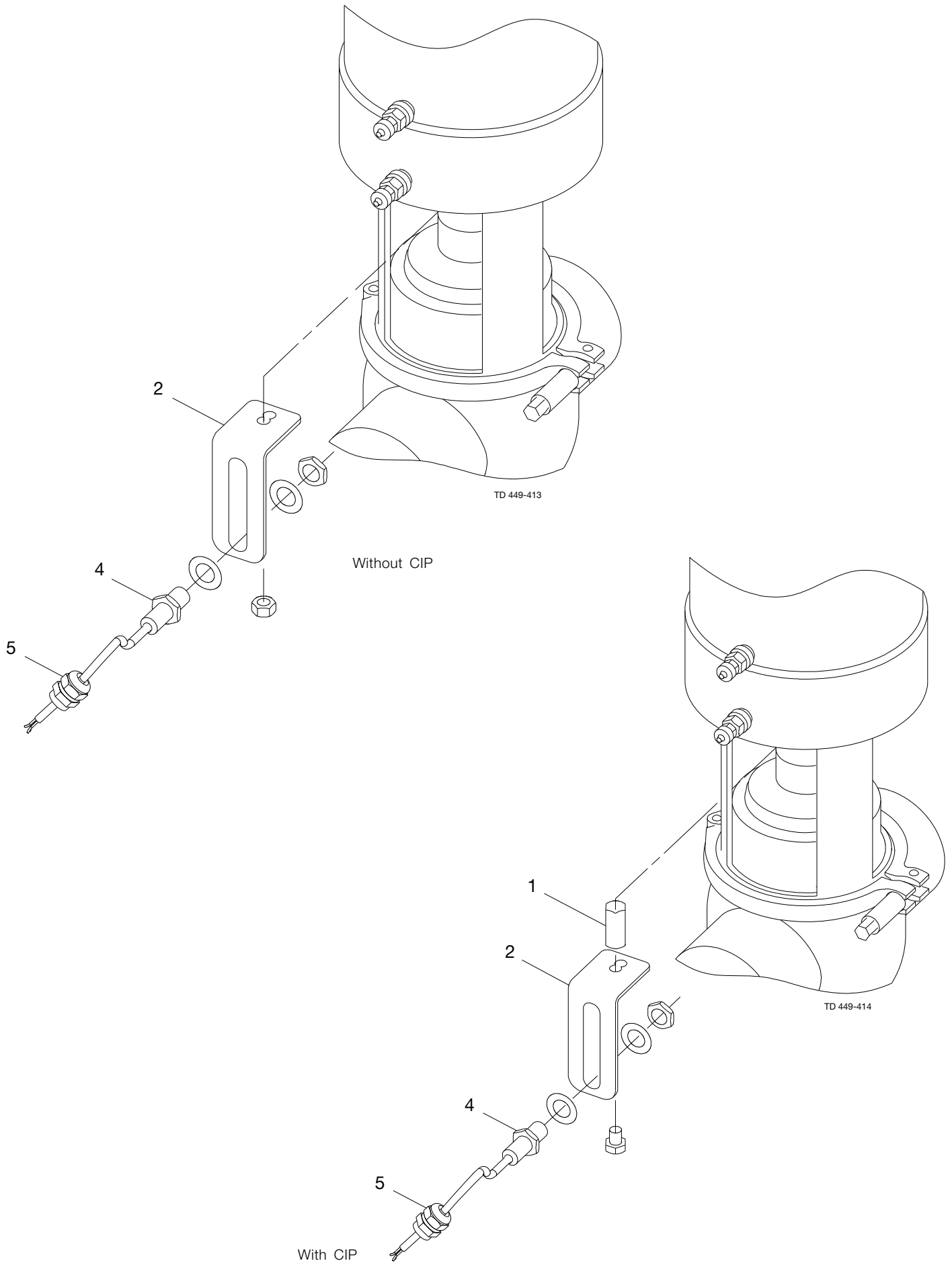
Micro-switch unit for SRC valve	1.2.30
Inductive proximity switch unit for SRC/ARC valve	1.2.32
Hall proximity switch unit for SRC/ARC valve	1.2.34
Proximity switch unit type SRC	1.2.36
Proximity switch for unit inductive	1.2.38
Proximity switch unit for SMP-EC valve	1.2.40
Micro-switch unit for LKAB valve	1.2.42
Micro-switch unit for SMP-EC Valve	1.2.44
Indication unit for aseptic mixproof valve type AMP	1.2.46
LKT-N top unit	1.2.48
LKT-N (period 9010-9304)	1.2.50
LKT-S top unit	1.2.52
LKT-S (period 9010-9304)	1.2.54



TD 803-005

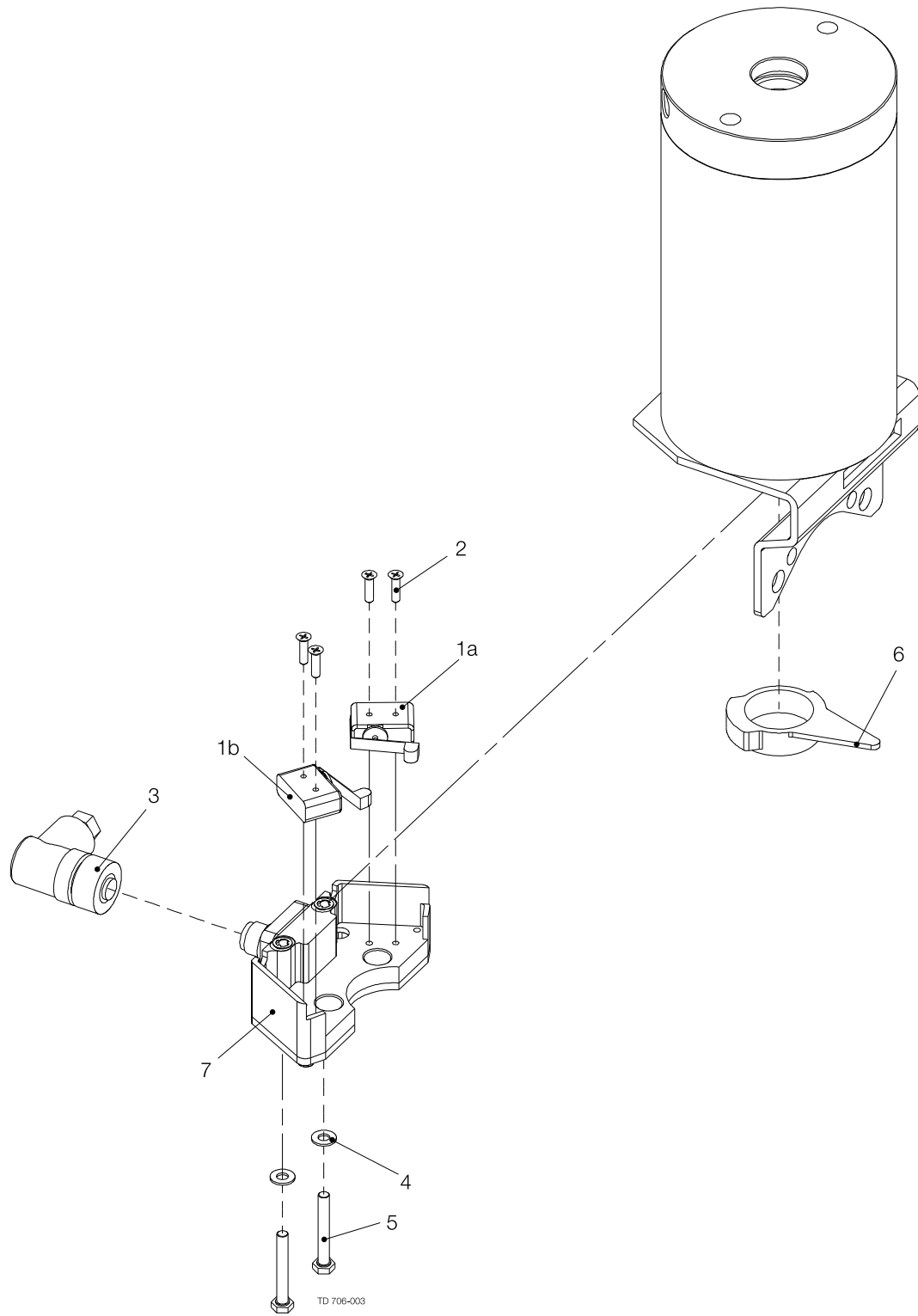
Pos	Qty	Denomination	
		Unit with 5m cable, complete	9613418101
		Unit with 10m cable, complete	9613418102
		Unit NPN, complete	9613418103
		Unit PNP, complete	9613418104
1	1	Housing (please order a complete unit)	
2	1	End cap	9613418401
3	2	Screw	9611993409
4	1	Indication pin	9613418301
5	1	Female plug	9611994881

TD 900-320/3



Pos	Qty	Denomination	38-101.6 mm DN40 - DN150
1	1	Nut	9611994557
2	1	Bracket	9613095503
4	1	Sensor, IFT249, 1m cable	9611995197
	1	Sensor, IFT213, 6m cable	9611995198
	1	Sensor, IFT213, M12 plug	9611995199
5	1	Cable gland	9611993603

TD 900-317

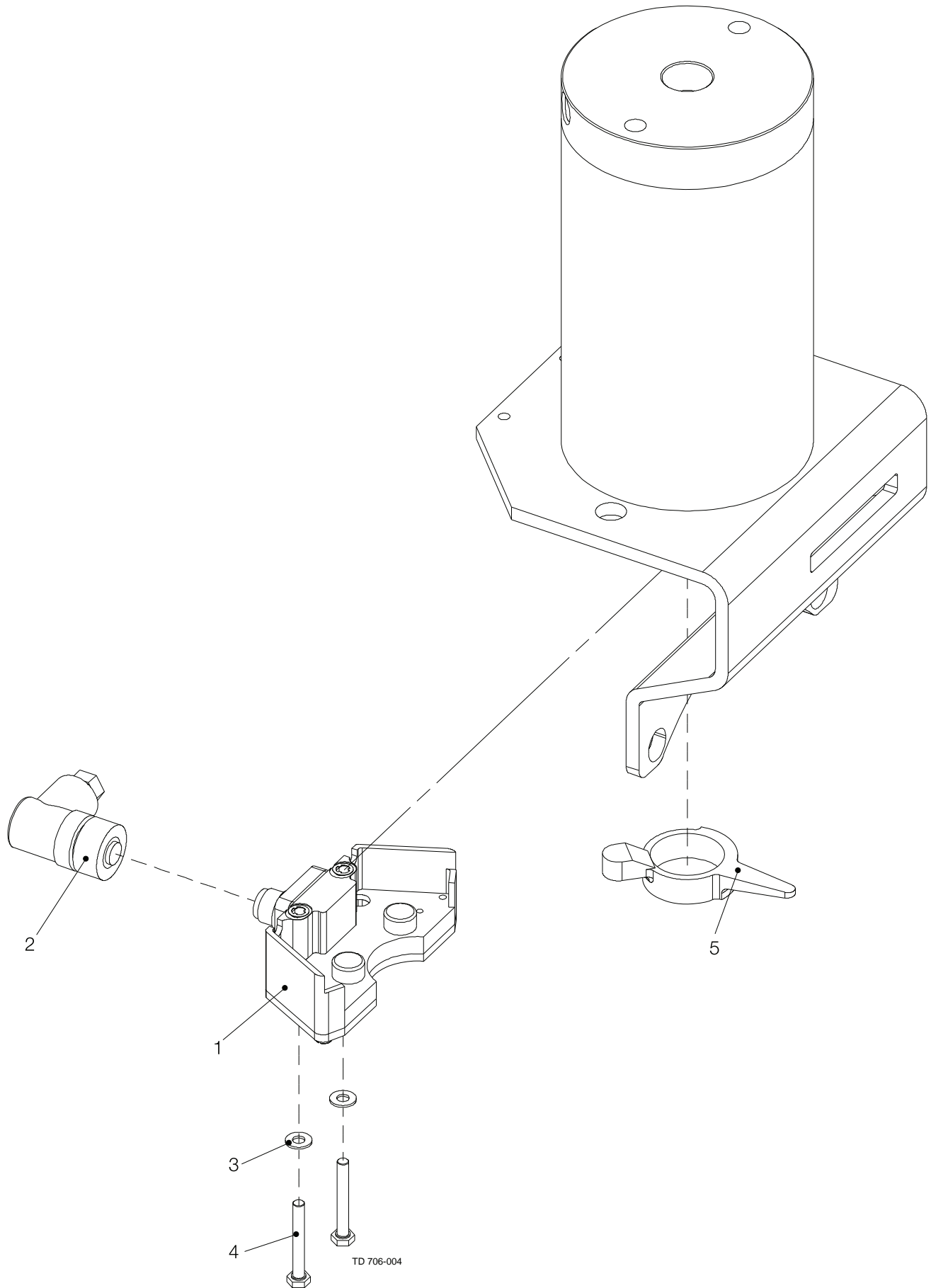


Pos	Qty	Denomination	25-101.6 mm DN25 - DN100
		Complete micro-switch unit, with female plug (Period 0206-) . . .	
		Complete micro-switch unit , (Period -0206)	9611416710
1a	1	Arm for micro-switch	9611992542
1b	1	Arm for micro-switch	
2	4	Screw, (Period 0206-)	9611991177
	2	Screw, (Period -0206)	9611990230
3	1	Female plug, (Period 0206-)	9611993245
	1	Female plug, (Period -0206)	
4	2	Washer	9611990800
5	2	Hexagon screw	9611991239
6	1	Activation ring with screw	9611416690
7	1	Housing	
		Please order new complete micro-switch unit	

TD 900-081/1

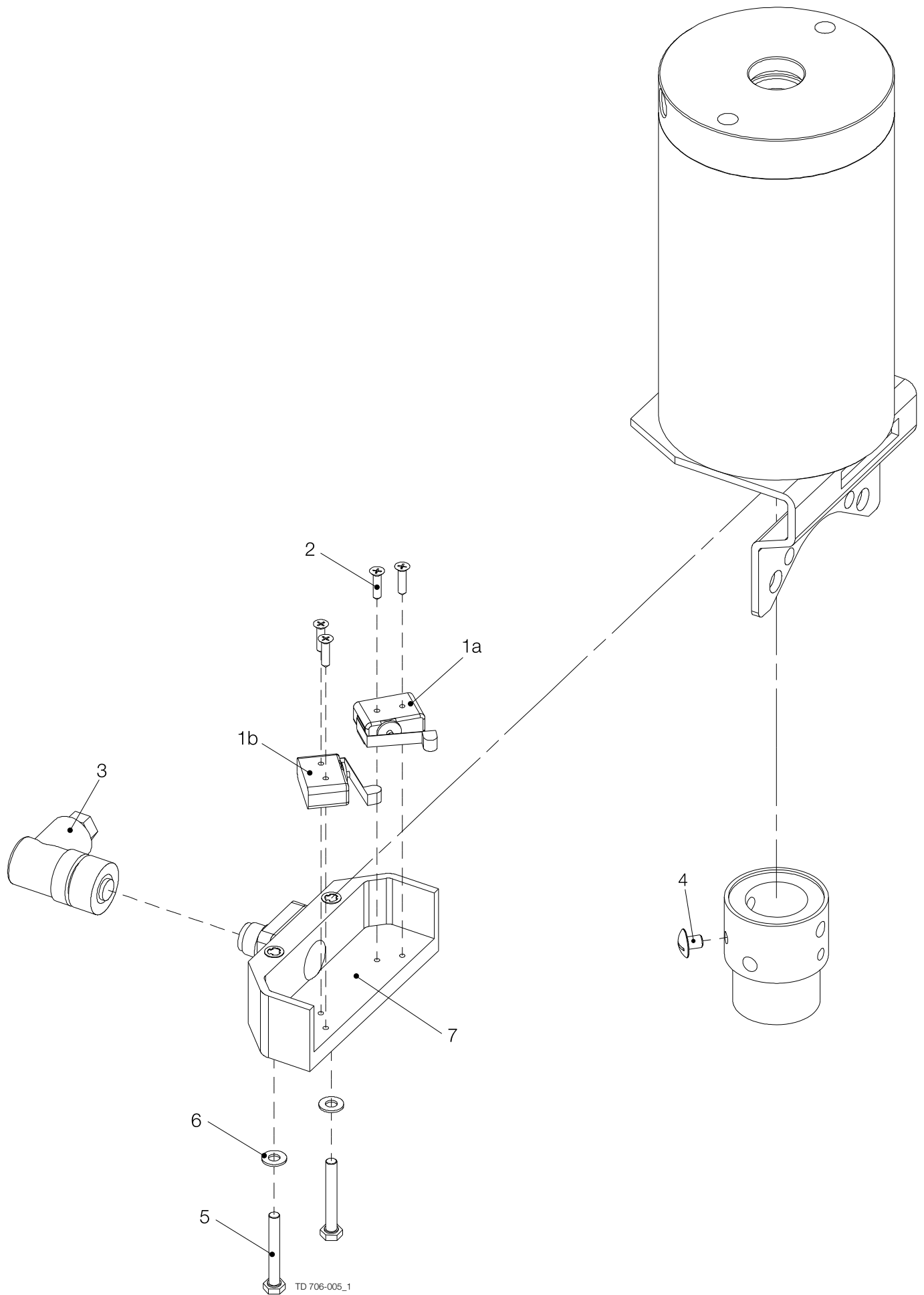
Not manufactured anymore

1.2



		25-101.6 mm	
Pos	Qty Denomination	DN 25-DN 100	DN 150
	Complete, Hall-sensor, NPN 5-24 VDC with female plug (yellow) (Period 0206 - 1608)		
	Complete, Hall-sensor, PNP 5-24 VDC with female plug (green) (Period 0206 - 1608)		
	Complete, Hall-sensor, PNP 20-30 VDC with female plug (grey) (Period 0206 - 1608)		
	Complete, Hall-sensor, NPN 5-24 VDC (yellow) (Period -0206) . . .		
	Complete, Hall-sensor, PNP 5-24 VDC (green) (Period -0206) . . .		
	Complete, Hall-sensor, PNP 20-30 VDC (grey) (Period -0206) . . .		
1	1 Housing, NPN 5-24 VDC (yellow)		
	1 Housing, PNP 5-24 VDC (green)		
	1 Housing, PNP 20-30 VDC (grey)		
	Please order new complete Hall Proximity-switch Unit		
2	1 Female plug, (Period 0206-)		
	1 Female plug, (Period -0206)	9611993245	9611993245
3	2 Washer	9611990800	9611990800
4	2 Hexagon screw	9611991239	9611991239
5	1 Activation ring with magnet	9611416870	9611416660

TD 900-083/1

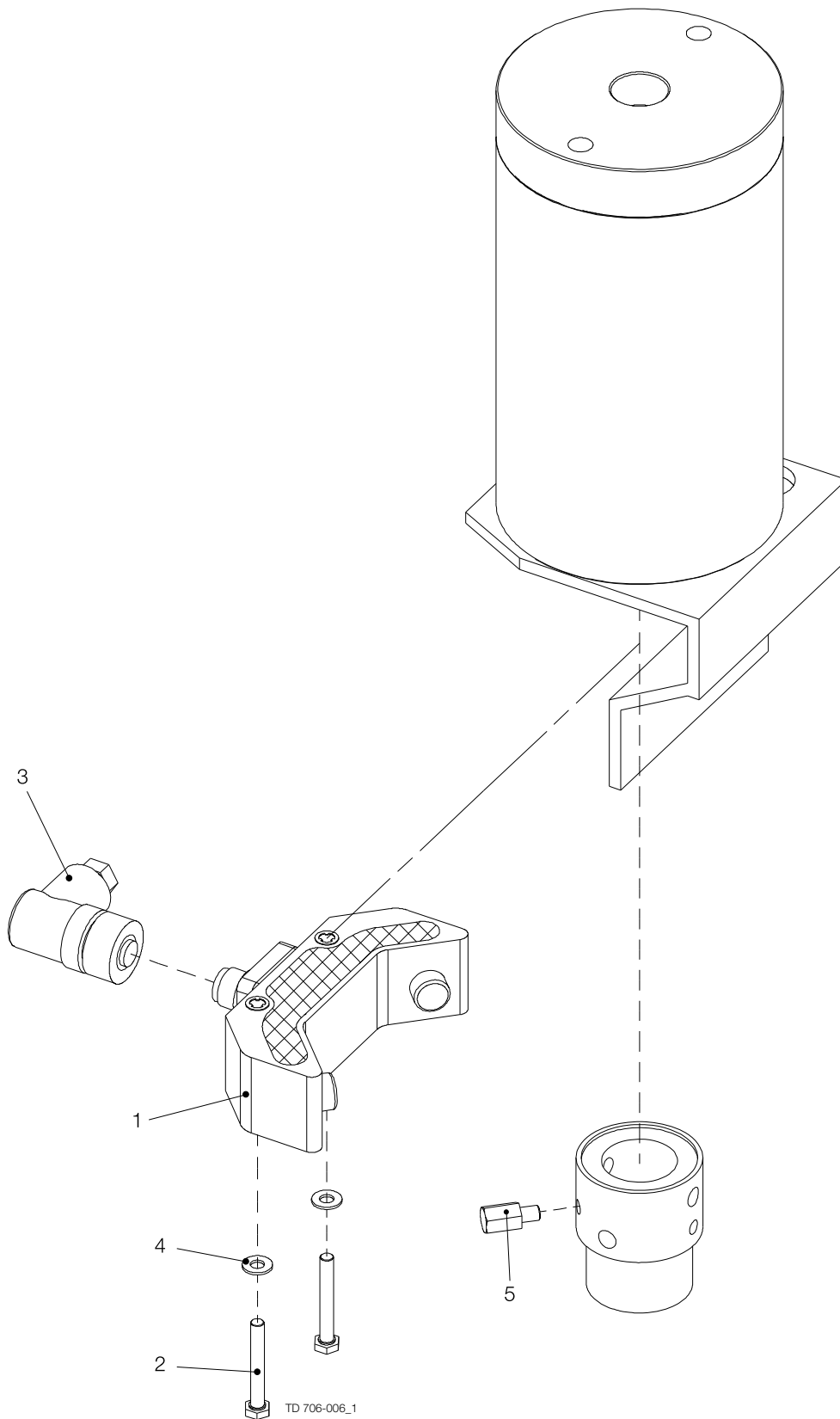


Pos	Qty	Denomination	101.6 mm DN100-150
		Complete micro-switch unit, with female plug (Period 0206-) . . .	9612510902
		Complete micro-switch unit, (Period -0206)	
1a	1	Arm for micro-switch	9611992542
1b	1	Arm for micro-switch	
2	4	Screw	9611990230
3	1	Female plug, (Period 0206-)	9611993245
	1	Female plug, (Period -0206)	
4	1	Indication screw	9612286001
5	2	Screw	9611991239
6	2	Washer	9611990800
7	1	Housing	
		Please order new complete micro-switch unit	

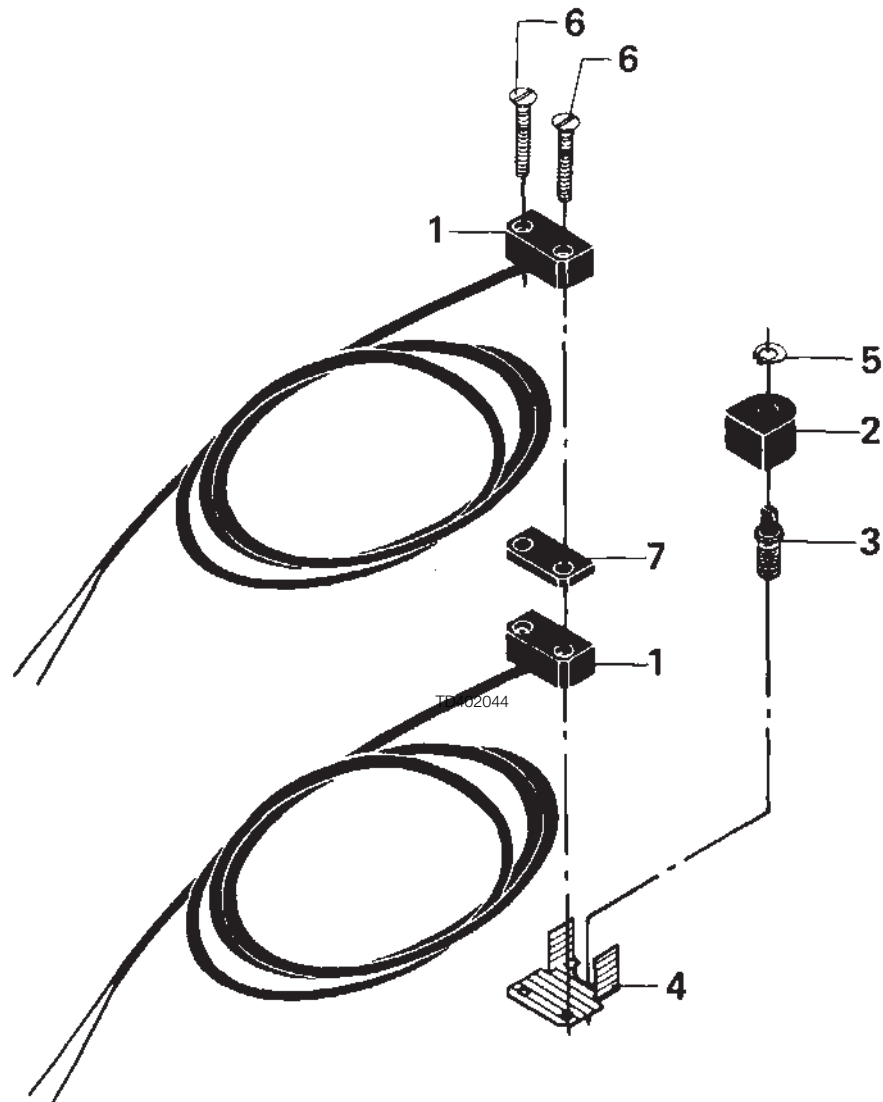
TD 900-084/1

Not manufactured anymore

1.2

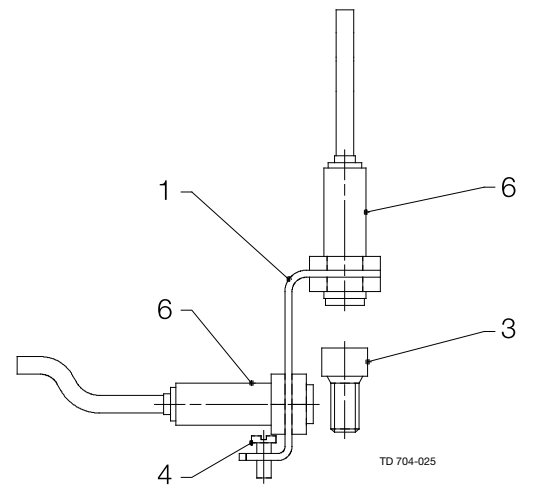
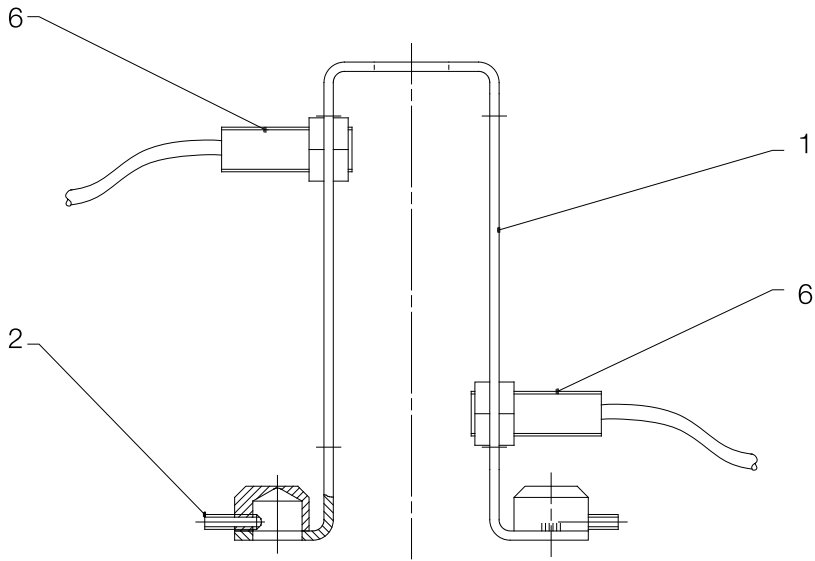


Pos	Qty	Denomination	101.6 mm DN100-150 w. inductive sensors w. Hall Sensors (Period -0206)
		Complete proximity-switch unit, NPN 5-24 VDC with female plug (yellow) (Period 0206 - 1608)	
		Complete proximity-switch unit, PNP 5-24 VDC with female plug (green) (Period 0206 - 1608)	
		Complete proximity-switch unit, PNP 20-30 VDC with female plug (grey) (Period 0206 - 1608)	
		Complete proximity-switch unit, NPN 5-24 VDC with female plug (yellow) (Period -0206)	
		Complete proximity-switch unit, PNP 5-24 VDC with female plug (green) (Period -0206)	
		Complete proximity-switch unit, PNP 20-30 VDC with female plug (grey) (Period -0206)	
		Complete proximity-switch unit, inductive sensors (Period -0206)	
1	1	Housing, NPN 5-24 VDC (yellow)	
	1	Housing, PNP 5-24 VDC (green)	
	1	Housing, PNP 20-30 VDC (grey)	
		Please order new complete proximity-switch unit	
2	2	Screw	9611991239 9611991239
3	1	Female plug, (Period 0206-)	
	1	Female plug, (Period -0206)	9611993245
4	2	Washer	9611990800 9611990800
5	1	Screw	9612285501 9612039201

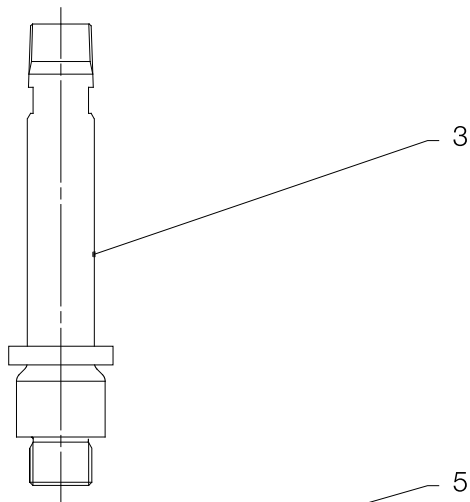
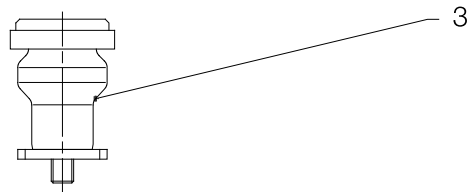


Pos	Qty	Denomination	9611402551
1	2	Single reed switch	9611402550
2	1	Magnet for reed switch	9611402545
3	1	Adjusting screw	9611402539
4	1	Guide plate	9611402538
5	1	Segerring	9611990736
6	2	Screw	9611990330
7	1	Distance plate, (period 82.04-)	9611402485
900-428			

1.2



TD 704-025



TD 704-026_1

Indication **Bracket system - LKAP, SMP-EC, SRC, SRC-LS, ARC, SMP-BC, SMP-SC, LKLA-T, ARC-SB, SMP-BCA, SMP-TO, MH, SBV and Unique**

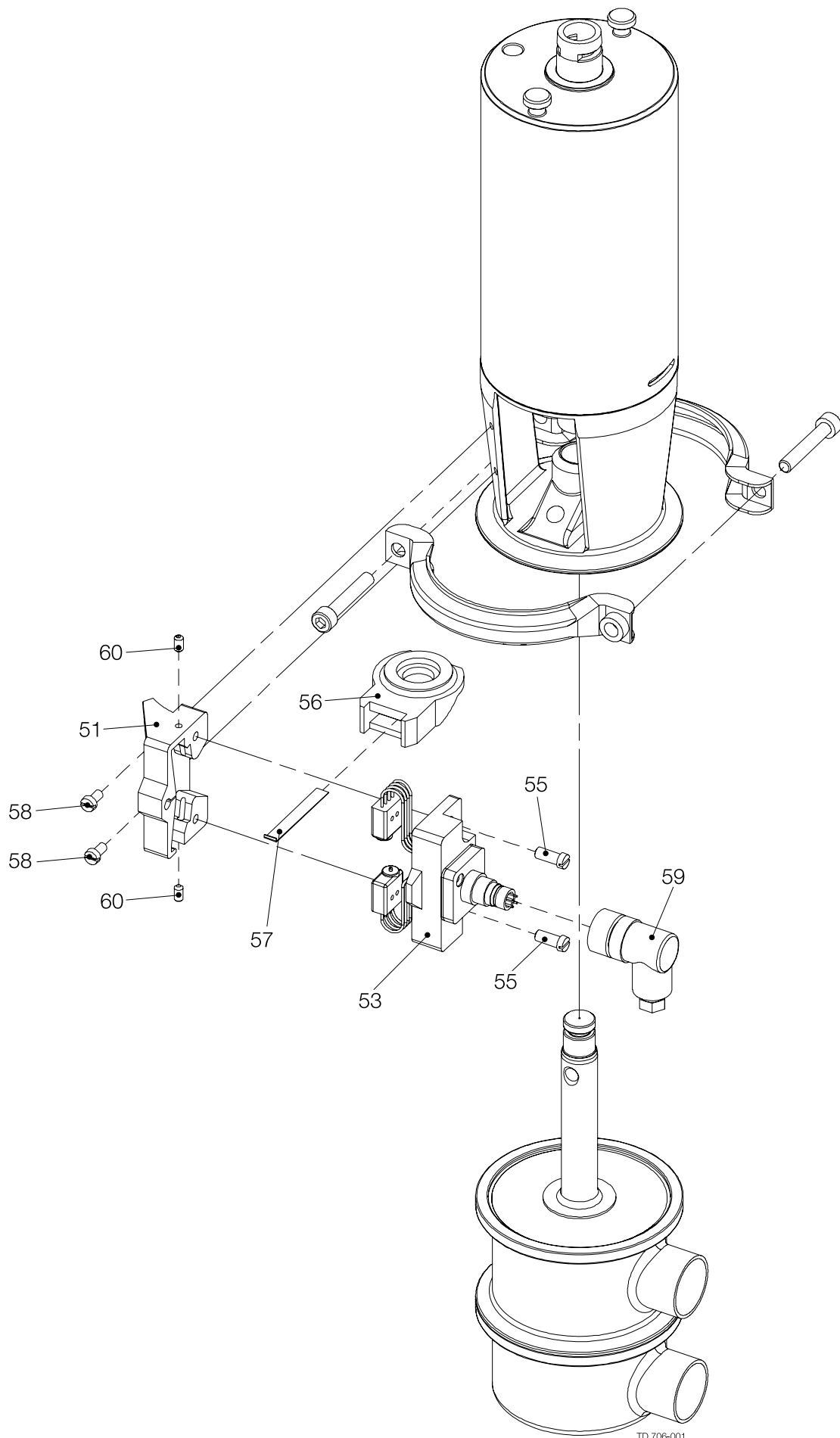
Pos	Qty	Denomination	LKAP	SMP-EC	SRC, SRC-LS, ARC, SMP-BC, SMP-SC, LKLA-T, ARC-SB, SMP-BCA, SMP-TO, Koltek MH, SBV and Unique Mixproof	Unique SSV-LS Unique SSV-Y Unique SSV with high pressure actuator
1	1	Bracket, complete	9612498901	9612411201	9612411202	9612411203
	1	Bracket	9612492601	9612411301	9612411301	9612411302
2	2	Pointed screw		9611991756	9611991756	9611991756
3	1	Indication Pin	9611992633	9612085102	9612411701	9612411701
4	2	Screw	9611990337			
5	1	O-ring		22340380		
6	1	Sensor, NF5003 Ex. protection, 2m cable	9611995195	9611995195	9611995195	9611995195
	1	Sensor, NF501A Ex. protection, M12 plug	9611995196	9611995196	9611995196	9611995196
	1	Sensor, IFM IF 5718, 2m cable	9611992900	9611992900	9611992900	9611992900
	1	Sensor, IFT 249, 1m cable	9611995197	9611995197	9611995197	9611995197
	1	Sensor, IFT 213, 6m cable	9611995198	9611995198	9611995198	9611995198
	1	Sensor, IFT 213, M12 plug	9611995199	9611995199	9611995199	9611995199

1.2

TD 900-087/4

Not manufactured anymore

1.2



Complete units

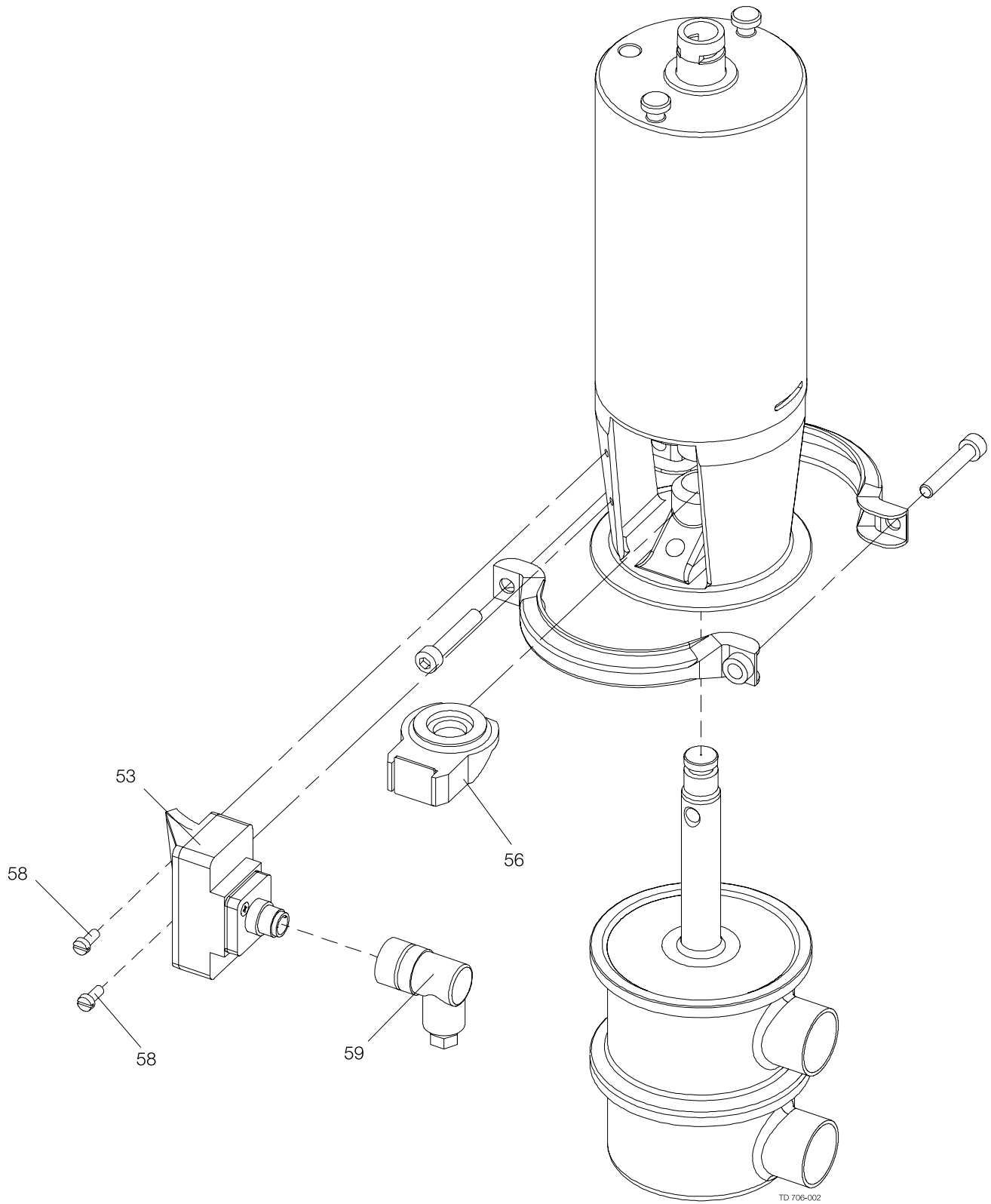
Pos	Qty	Denomination	38-63.5 mm	76.1-101.6 mm
			DN40 - DN65	DN80 - DN100
		Micro-switch unit, complete with female plug, (Period 0206-)		
		Micro-switch lower		
		Micro-switch unit, complete with female plug, (Period 0206-)		
		Micro-switch upper and lower		
		Micro-switch unit, complete with female plug, (Period 0206-)		
		Micro-switch upper		
		Micro-switch unit, complete, (Period -0206) Micro-switch lower		
		Micro-switch unit, complete, (Period -0206) Micro-switch upper and lower		
		Micro-switch unit, complete, (Period -0206) Micro-switch upper		
51	1	Holder		
53	1	Switch unit, one (1) micro-switch (Period 0206-)		
	1	Switch unit, two (2) micro-switches (Period 0206-)		
	1	Switch unit, one (1) micro-switch (Period -0206)		
	1	Switch unit, two (2) micro-switches (Period -0206)		
55	2	Screw	72018	72018
56	1	Ring	3135302831	3135302841
57	1	Spring	3135305101	3135305101
58	2	Screw	22112148	22112148
59	1	Female plug (Period 0206-)	9611993245	9611993245
	1	Cable connector, complete for 4.5 - 7 mm cable (Period -0206)		
60	2	Adjustment screw	22158192	22158192

1.2

Recommended spare parts: Pos.57.

Not manufactured anymore

1.2

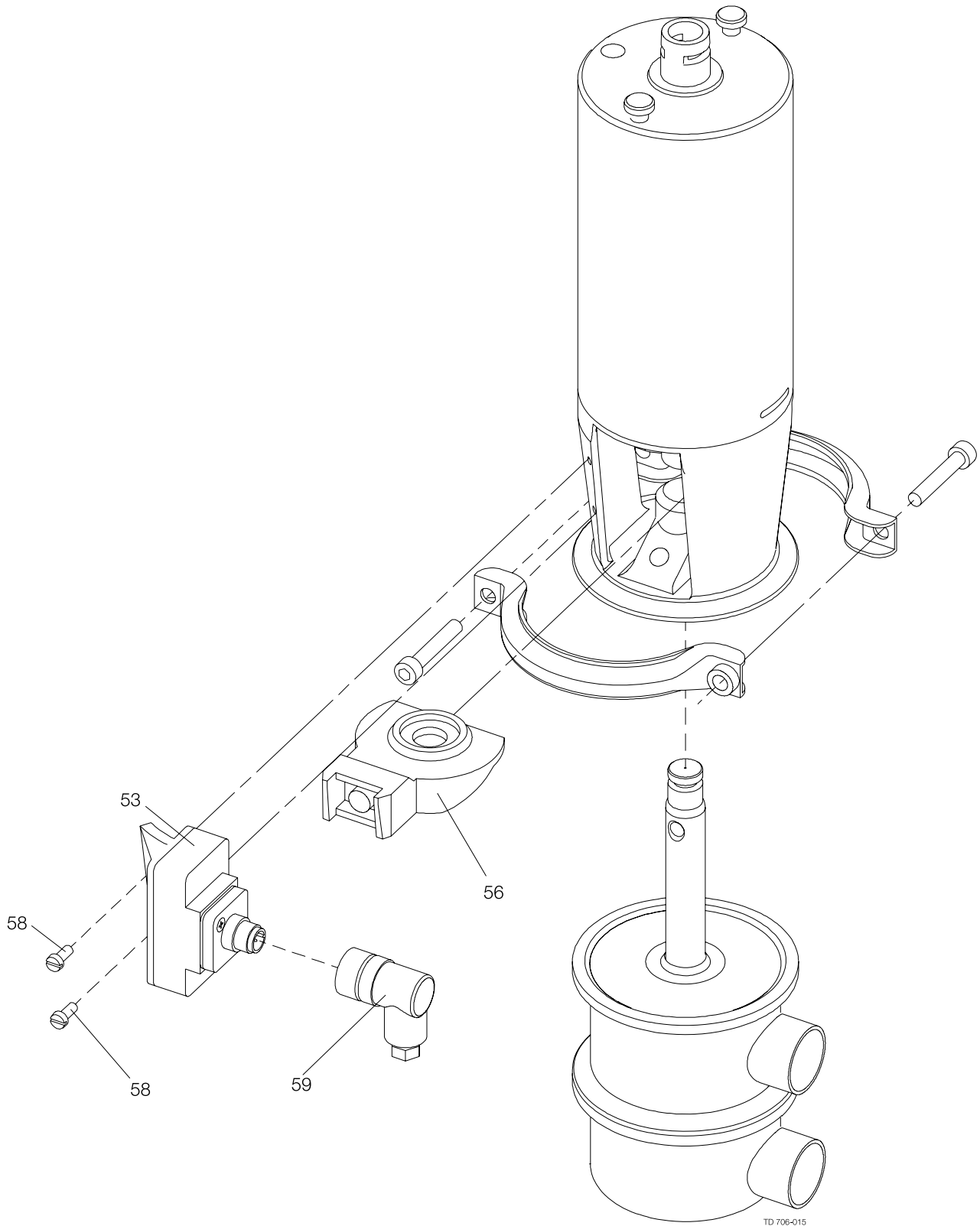


Pos	Qty	Denomination	38-63.5 mm 76.1-101.6 mm		
			DN25	DN40 - DN65	DN80 - DN100
		Stop/change-over valve SRC switch unit cpl. with female plug (Period 0206-)	9612519009		
		Change-over valve SRC switch unit cpl. with female plug (Period 0206-)		9612519009	9612519008
		Stop valve SRC switch unit cpl. with female plug (Period 0206-)		9612519007	9612519008
		Stop/change-over valve ARC switch unit cpl. with female plug (Period 0502-)			
		Change-over valve SRC/ARC (Period -0206)			
		Stop valve SRC (Period -0206)			
		Stop valve ARC (Period -0206)			
53	1	Switch unit, complete with 2 switches (Period 0206-). Please order new complete micro-switch unit.	9612518903	9612518903	9612518904
	1	Switch unit, complete with 2 switches (Period -0206). Please order new complete micro-switch unit.			
56	1	Ring, (grey) Stop valve/change-over valve SRC			3135306611
	1	Ring, (black) Stop valve SRC		3135306602	
	1	Ring, (beige) Change-over valve SRC		3135306603	
	1	Ring, (beige) Stop valve/change-over valve SRC	3135306603		
	1	Ring, (beige) Stop valve/change-over valve ARC		3135306604	3135306613
58	2	Screw	22112106	22112106	22112106
59	1	Female plug (Period 0206-)	9611993245	9611993245	9611993245
	1	Cable connector, complete for 4.5 - 7 mm cable (Period -0206)			

TD 900-080/2

Not manufactured anymore

1.2

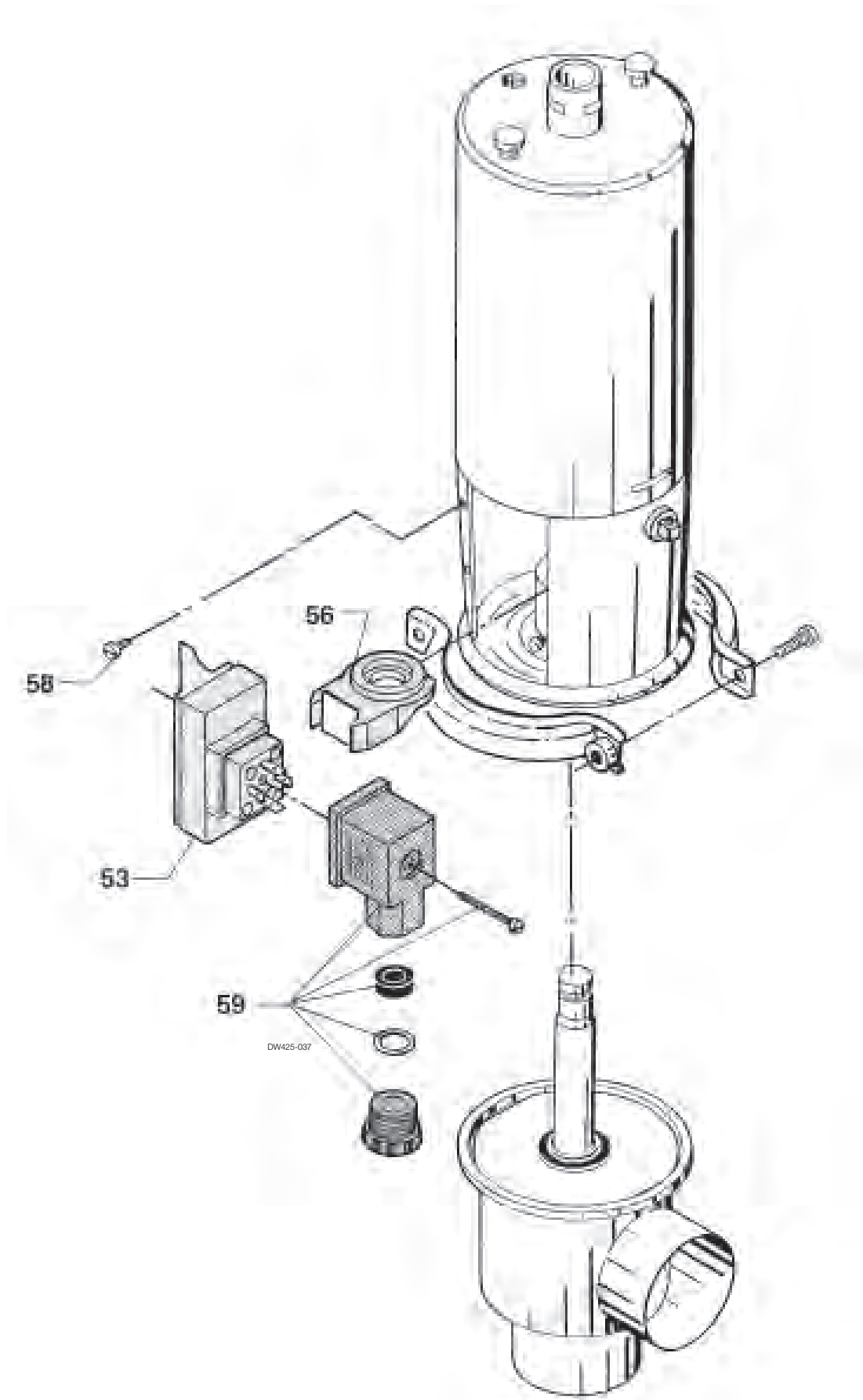


Pos	Qty	Denomination	38-63.5 mm	76.1-101.6 mm
			DN40 - DN65	DN80 - DN100
		Stop/change-over valve SRC/ARC switch unit cpl. with female plug PNP 5-24 VDC (Green)	9612520507	9612520510
		Stop/change-over valve SRC/ARC switch unit cpl. with female plug PNP 20-30 VDC (Grey)	9612541907	9612541910
53	1	Switch unit, PNP 5-24 VDC (Green). Please order new complete micro-switch unit.		
	1	Switch unit, NPN 5-24 VDC (Yellow). Please order new complete micro-switch unit.		
	1	Switch unit, PNP 20-30 VDC (Grey). Please order new complete micro-switch unit.		
56	1	Ring	9612520401	9612522401
58	2	Screw	22112148	22112106
59	1	Female plug	9611993245	9611993245

TD 900-202

Not manufactured anymore

1.2

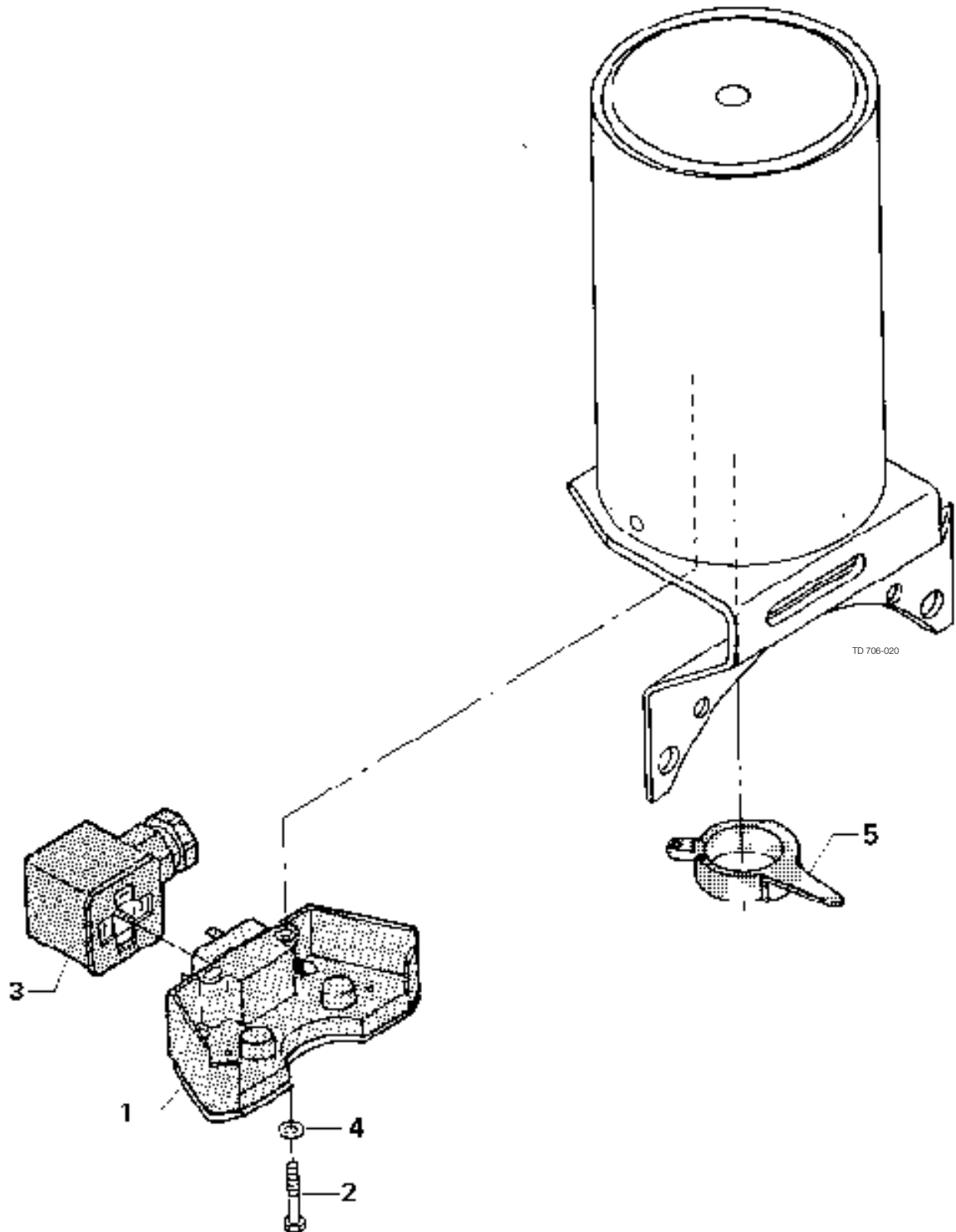


Pos	Qty	Denomination	38-63.5 mm	76.1-101.6 mm
			DN40 - DN65	DN80 - DN100
		Change-over valve		
		Complete Stop valve		
		Complete Stop valve ARC		
53	1	Switch unit, complete with 2 switches		
56	1	Ring (grey) Change-over valve		
	1	Ring (black) Stop valve		
	1	Ring (beige) Stop valve ARC		
58	2	Screw		
59	1	Cable connector, complete for 4.5 - 7 mm cable		

TD 900-079/1

Not manufactured anymore

1.2



Pos	Qty	Denomination	25 - 101.6 mm DN25 - DN100
1	1	Proximity-switch unit	
		Please order new complete proximity-switch unit	
2	2	Hexagon screw	9611991239
3	1	Female plug	
4	2	Washer	9611990800
5	1	Activation ring with screw	9611416700

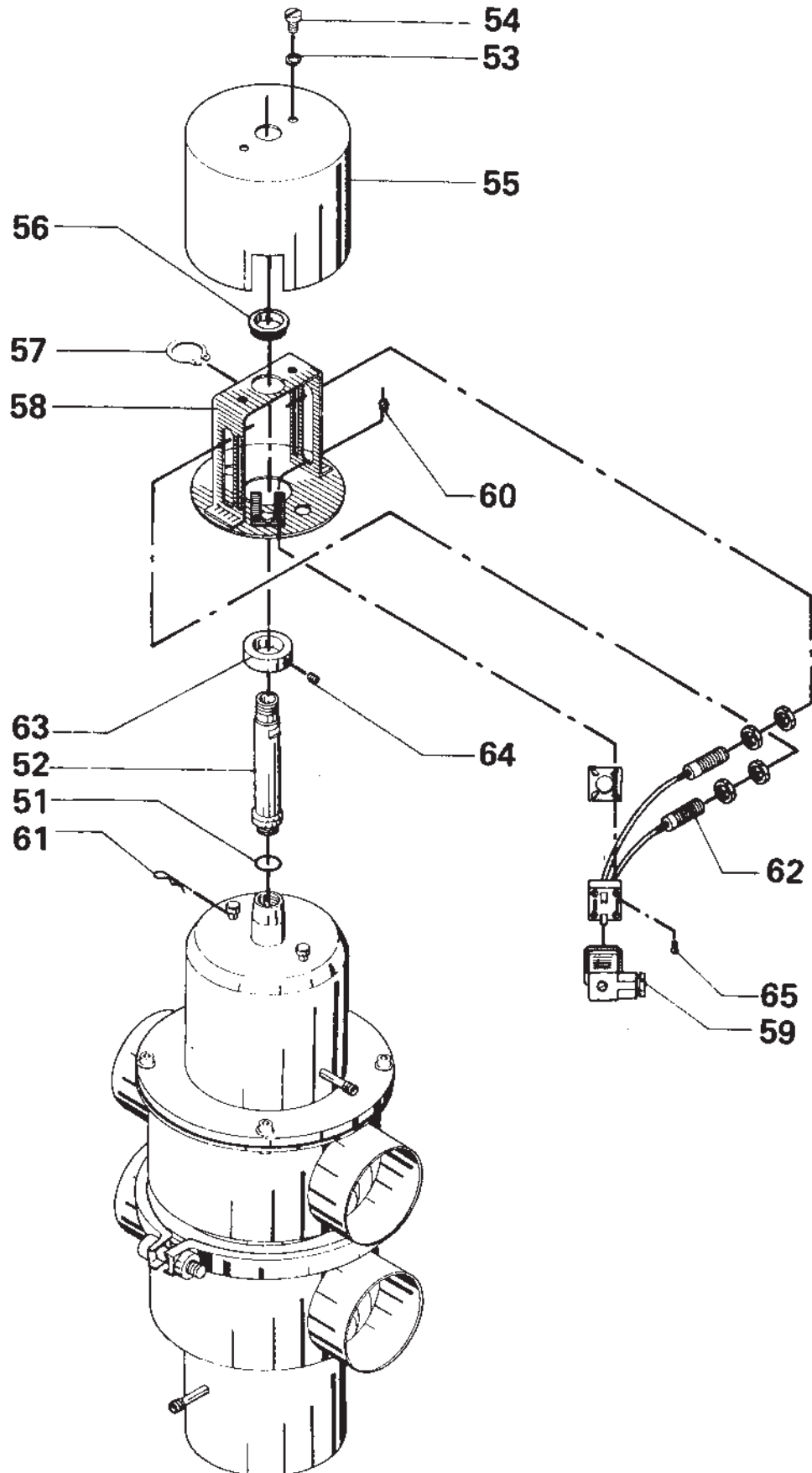
(Not included in the complete Proximity-Switch Unit)

Intro: 8301

TD 900-082/1

Not manufactured anymore

1.2



Pos	Qty	Denomination	
Part used			
51	1	O-ring	22340380
52	1	Extension	
53	2	Spring washer	22310725
54	2	Screw	22113103
55	1	Cover	
56	1	Bushing	
57	1	Snap ring	51997505
58	1	Frame	
59	1	Cable connector, complete for 4.5-7mm cable	
60	2	Nut	
61	2	Clip	
62	1	Switch unit, Proximity switch up or down	
	1	Switch unit, Proximity switches up or down	
63	1	Activation ring	
64	2	Screw	
65	2	Screw	

Complete units

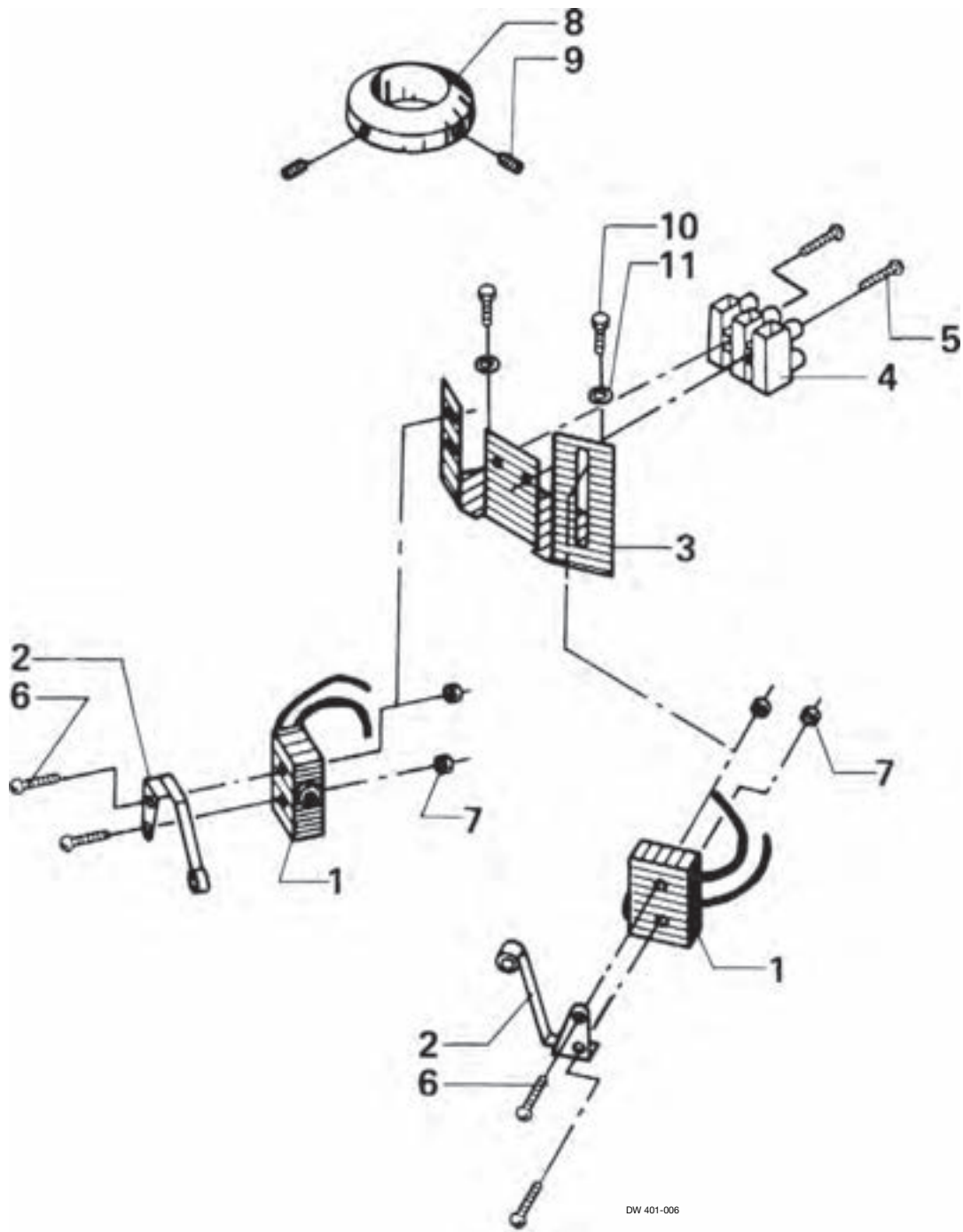
- Proximity switch unit, complete proximity switch up or down . . .
- Proximity switch unit, complete proximity switch up or down . . .

Recommended spare parts: Pos 51, 56, 57, 59, 61 and 62.

Reg. 2.24.12 - 9805

Not manufactured anymore

1.2



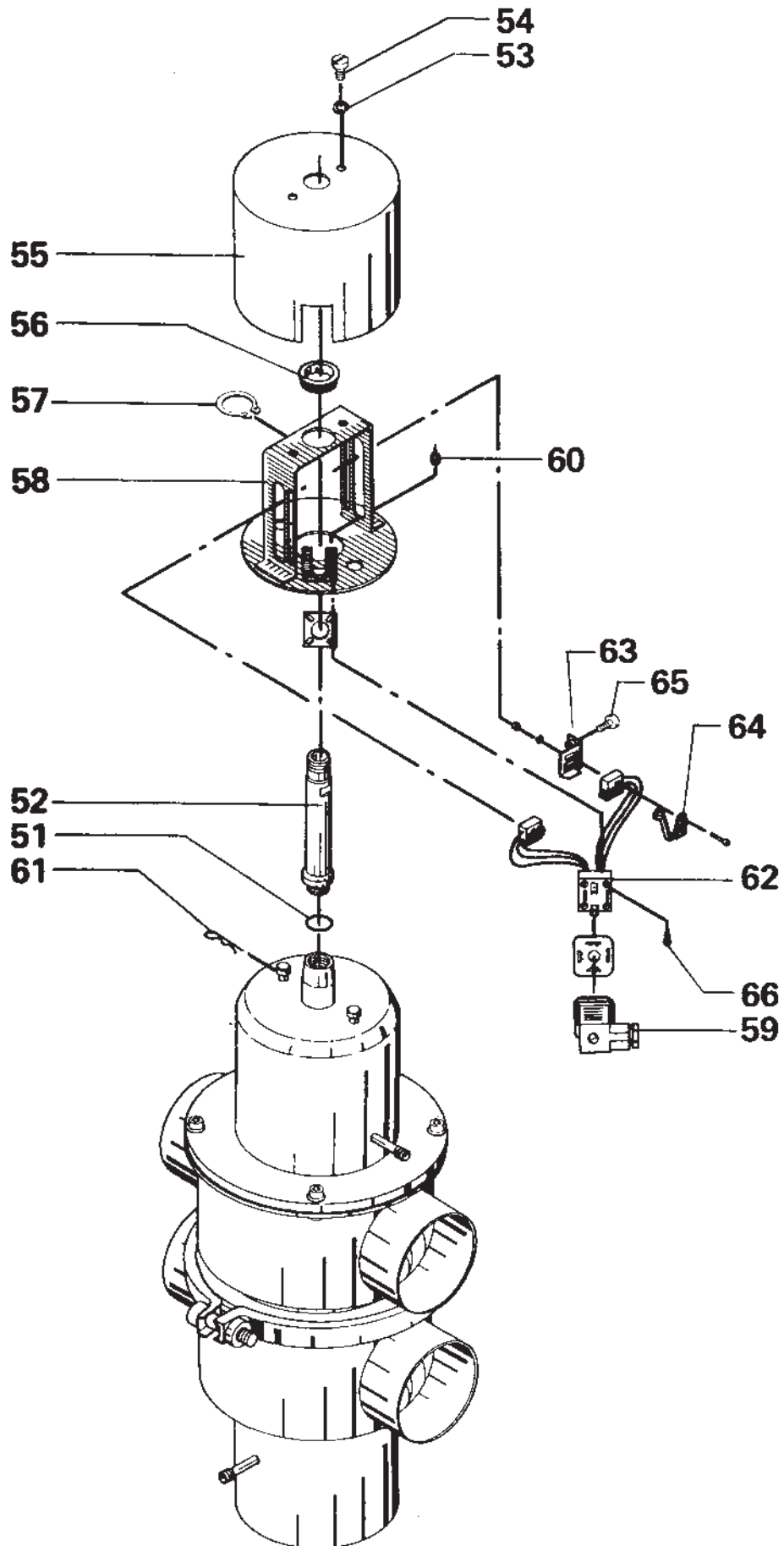
DW 401-006

Pos	Qty	Denomination	9611400874 38-51 mm 63.5 mm	9611400875 76.1 mm 101.6 mm
		Micro-switch complete included pos. 1-7		
1	2	Micro-switch	9611991190	9611991190
2	2	Arm for micro-switch		
3	1	Retaining plate		
4	3	Terminal strip	9611990817	9611990817
5	2	Screw		
6	4	Screw	9611990230	9611990230
7	4	Nut	9611990492	9611990492
8	1	Activation ring	9611402580	
9	2	Screw		
10	2	Screw	9611990218	9611990218
11	1	Washer		

TD 900-086/1

Not manufactured anymore

1.2



Pos	Qty	Denomination	
Parts used			
51	1	O-ring	22340380
52	1	Extension	
53	2	Spring washer	22310725
54	2	Screw	22113103
55	1	Cover	
56	1	Bushing	
57	1	Snap ring	51997505
58	1	Frame	
59	1	Cable connector, complete for 4,5-7mm cable	
60	2	Nut	
61	2	Clip	
62	1	Switch unit, Micro-switch up or down	
	1	Switch unit, Micro-switches up or down	
63	1	*(2) Holder	
64	1	*(2) Arm with roller, compl	
65	2	*(4) Screw	22112148
66	2	Screw	

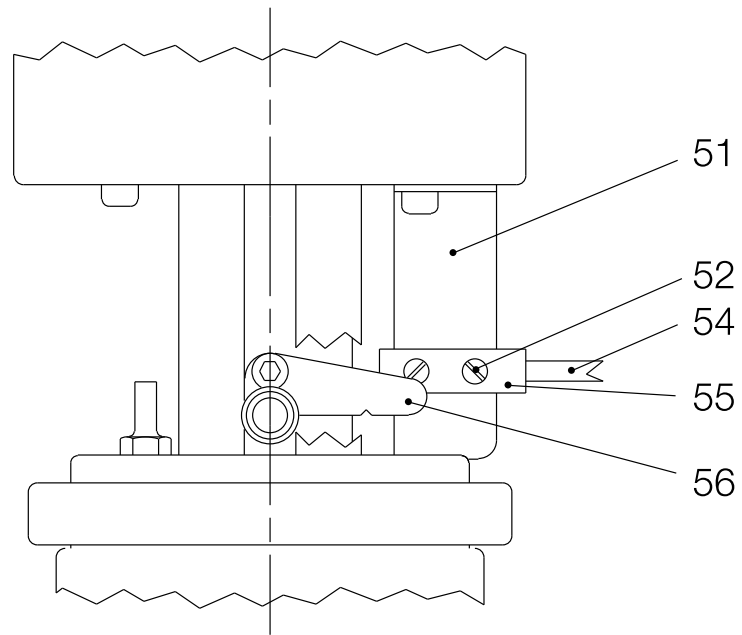
* Fig. in letters are valid for two micro-switches.

Complete units

- Micro-switch unit, complete Micro-switch up or down
- Micro-switch unit, complete Micro-switch up or down

Not manufactured anymore

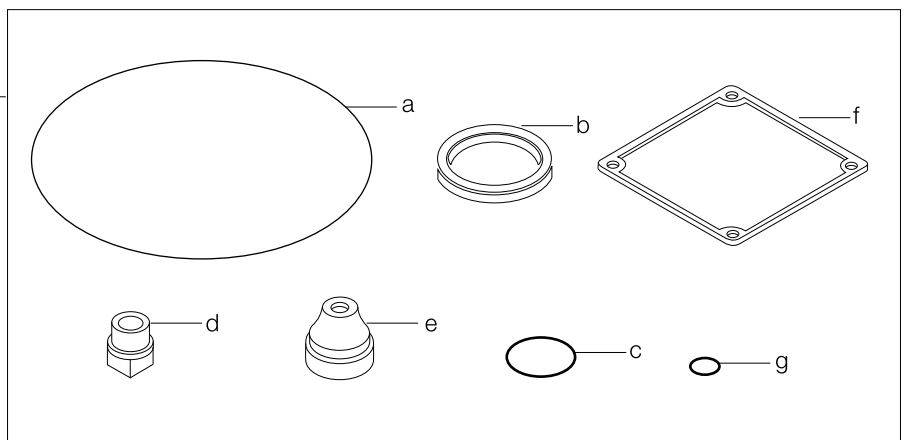
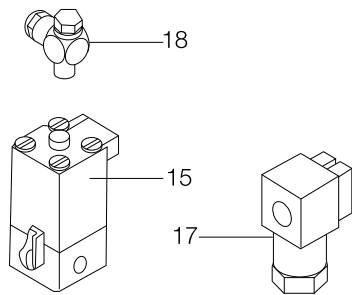
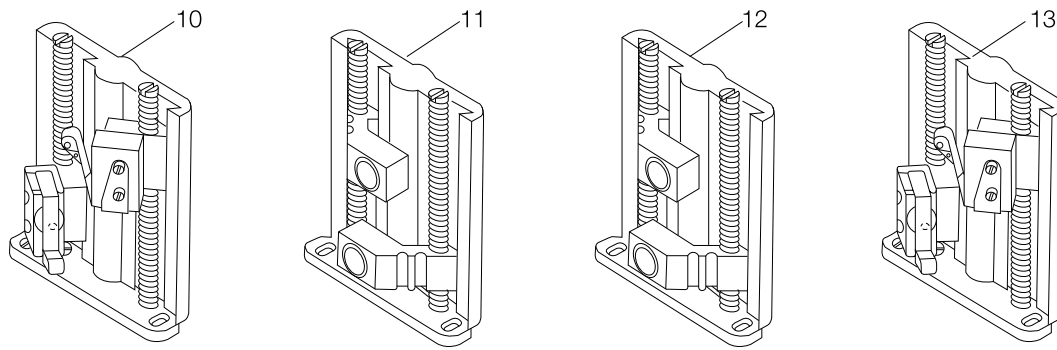
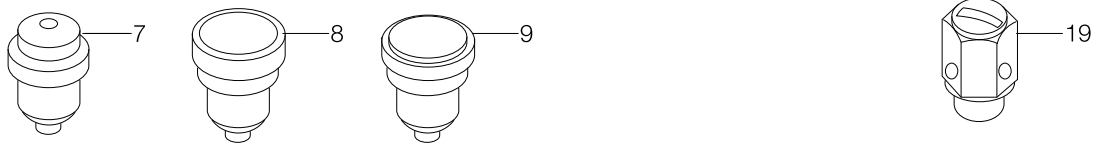
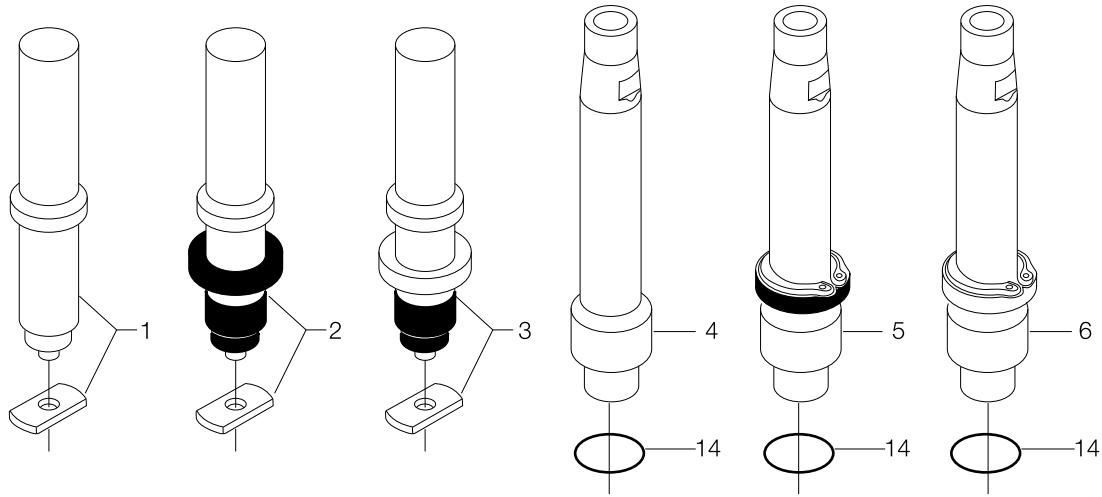
1.2



Pos	Qty	Denomination	51 mm	DN50	63.5mm	DN65
51	1	Bracket				
52	2	Screw				
54	1	Cable				
55	1	Sensor				
56	1	Position indicator				

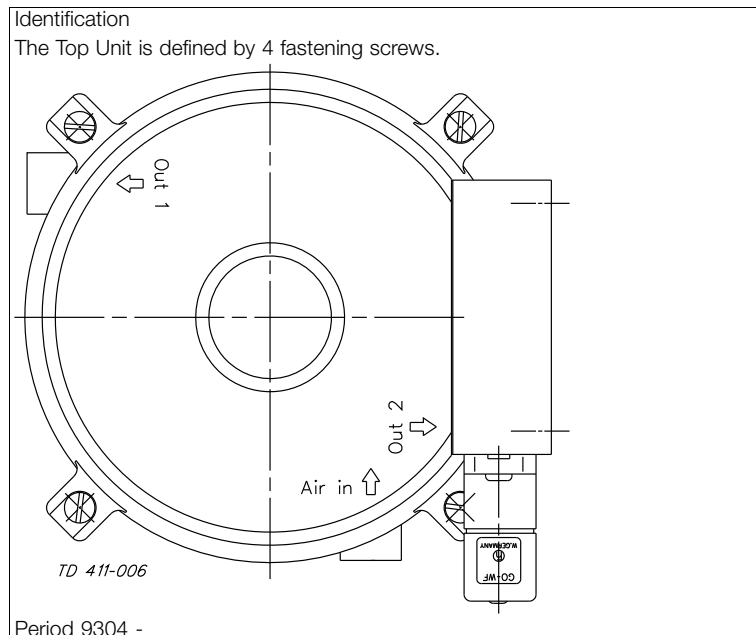
Not manufactured anymore

1.2



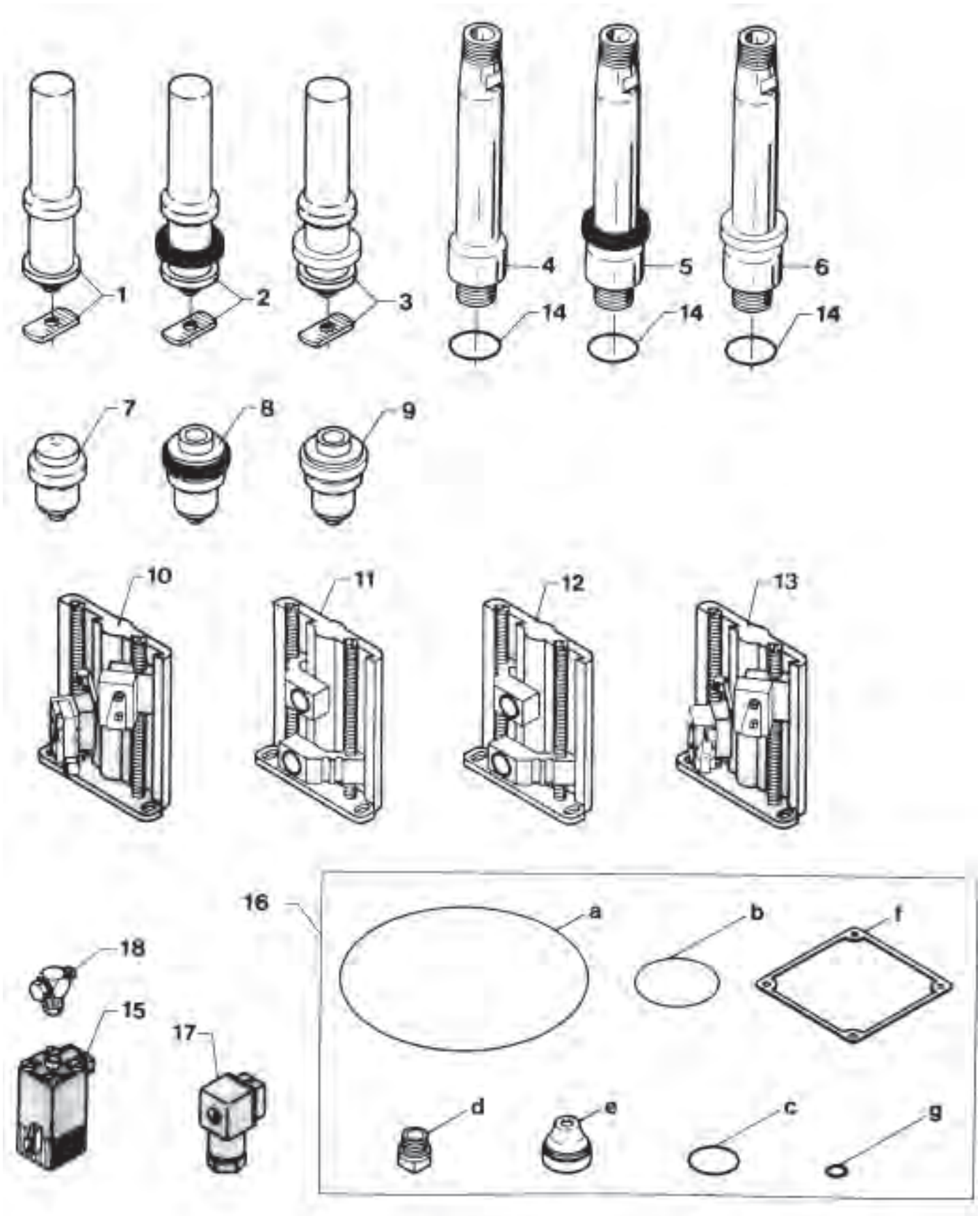
TD431-020

Pos	Qty	Denomination	SRC, ARC,SMP-BC, SMP-SC	SMP-EC	LKA-T	SMP-SC, Spillage-free, SMP-TO, 5-6" SRC/ARC/SMP- BC/SMP-SC
Topunit, type LKT-N						
2	1	Extension set for Hall proximity switches				
3	1	Extension set for Inductive proximity switches				
4	1	Extension for micro switches				
5	1	Extension for Hall proximity switches				
6	1	Extension for Inductive proximity switches				
7	1	Extension for micro switches				
8	1	Extension for Hall proximity switches				
9	1	Extension for Inductive proximity switches			9612193802	9612411701
10	1	Sensor unit with micro switches (two NO)				
11	1	Sensor unit with hall proximity switches (blue)				
12	1	Sensor unit with inductive proximity switches (red)				
13	1	Sensor unit with micro switches (one NO, one NC)				
14	1	O-ring, EPDM		22340380		
15	1	Solenoid valve 24 V DC	9611992809	9611992809	9611992809	9611992809
	1	Solenoid valve 24 V AC				
	1	Solenoid valve 48 V AC				
	1	Solenoid valve 110 V AC				
16	1	Fittings and seals set				
16a	1	O-ring, NBR				
16b	1	Quad-ring, NBR				
16c	1	O-ring, NBR	9611992129	9611992129	9611992129	9611992129
16d	1	Plug R 1/8"	9611991221	9611991221	9611991221	9611991221
16e	1	Seal for air tube	9611992121	9611992121	9611992121	9611992121
16g	1	Seal for screw				
17	1	Cable connector, female				
18	1	Banjo connection				
19	1	Safety valve				



Not manufactured anymore

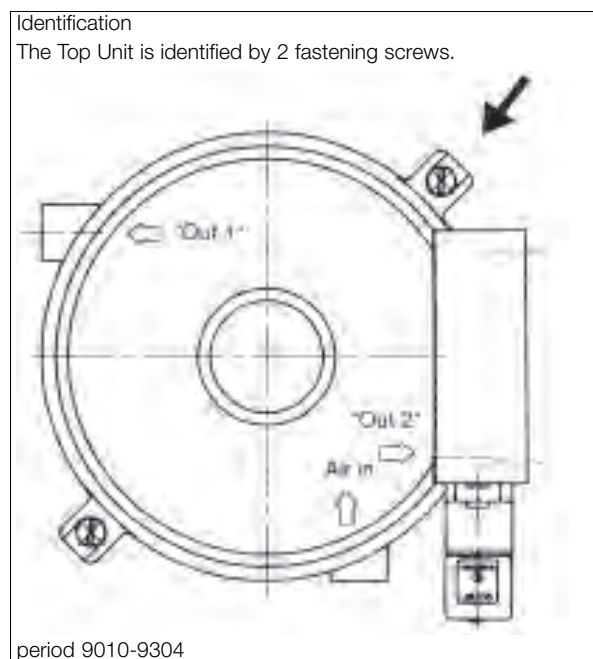
1.2



The old top unit is identified by 2 fastening screws.

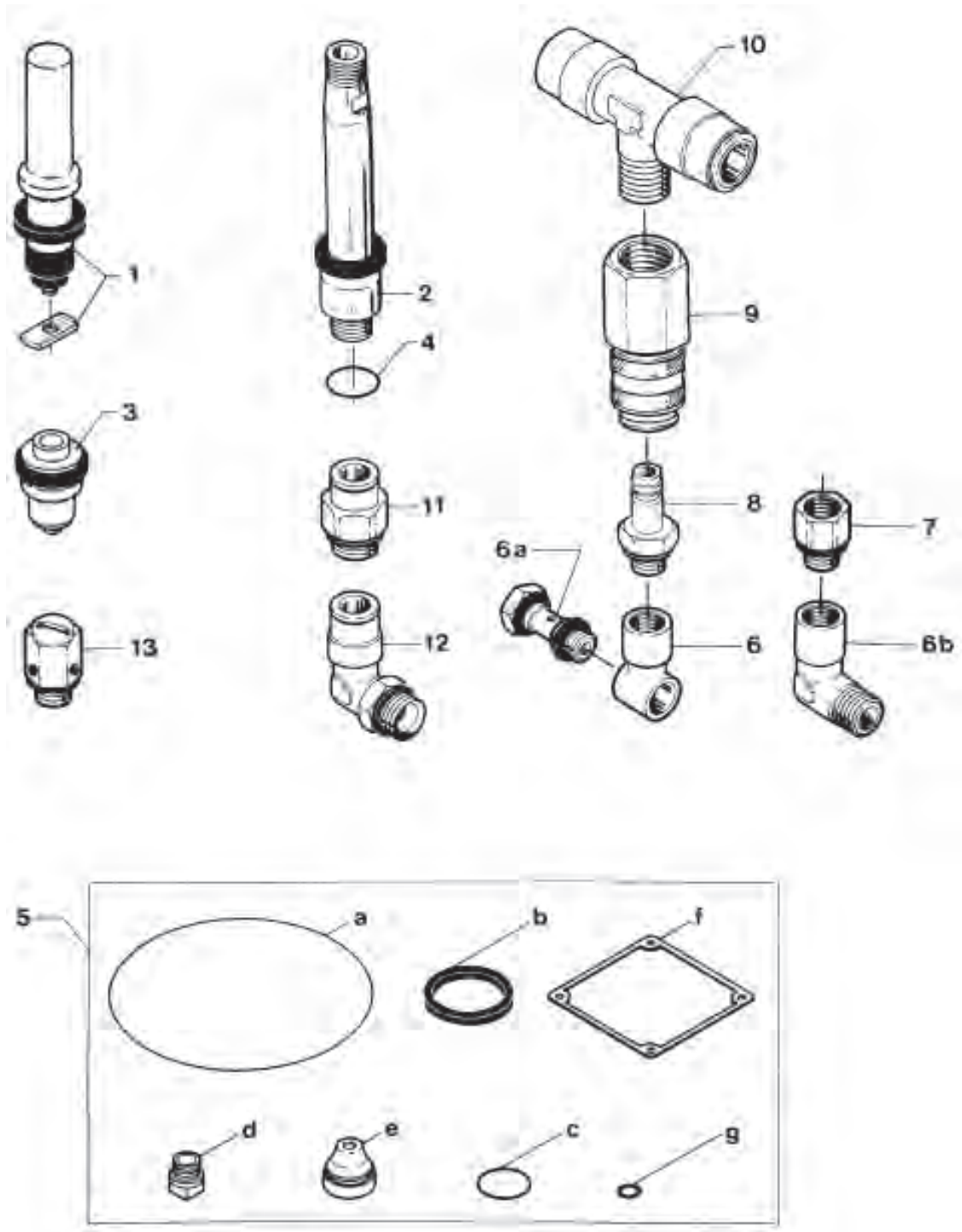
Pos	Qty	Denomination	SRC, ARC, SMP-SC	SMP-EC	LKLA-T
Identification:					
1	1	Extension set for micro switches			
2	1	Extension set for Hall proximity switches	9611920051		
3	1	Extension set for Inductive proximity switches			
4	1	Extension for micro switches			
5	1	Extension for Hall proximity switches			
6	1	Extension for Inductive proximity switches			
7	1	Extension for micro switches			
8	1	Extension for Hall proximity switches			
9	1	Extension for Inductive proximity switches			
10	1	Sensor unit with micro switches (two NO) (Period 9304-)			
11	1	Sensor unit with micro switches (two NO) (Period 9010-9304)			
12	1	Sensor unit with hall proximity switches (blue) (Period 9304-)			
13	1	Sensor unit with hall proximity switches (blue) (Period 9010-9304)			
14	1	Sensor unit with inductive proximity switches (red) (Period 9304-)			
15	1	Sensor unit with inductive proximity switches (red) (Period 9010-9304)			
16	1	Sensor unit with micro switches (one NO, one NC) (Period 9304-)			
17	1	Sensor unit with micro switches (one NO, one NC) (Period 9010-9304)			
18	1	O-ring, EPDM		22340380	
19	1	Solenoid valve 24 V DC	9611992809	9611992809	9611992809
20	1	Solenoid valve 24 V AC			
21	1	Solenoid valve 48 V AC			
22	1	Solenoid valve 110 V AC			
23	1	Fittings and seals set			
24a	1	O-ring, NBR			
24b	1	O-ring, NBR			
24c	1	O-ring, NBR	9611992129	9611992129	9611992129
24d	1	Plug R 1/8"	9611991221	9611991221	9611991221
24e	1	Seal for air tube	9611992121	9611992121	9611992121
24f	1	Seal for LKT-N box			
24g	1	Seal for screw			
25	1	Cable connector, female			
26	1	Barjo connection			

CAUTION: This Spare parts list is only valid for the old version.

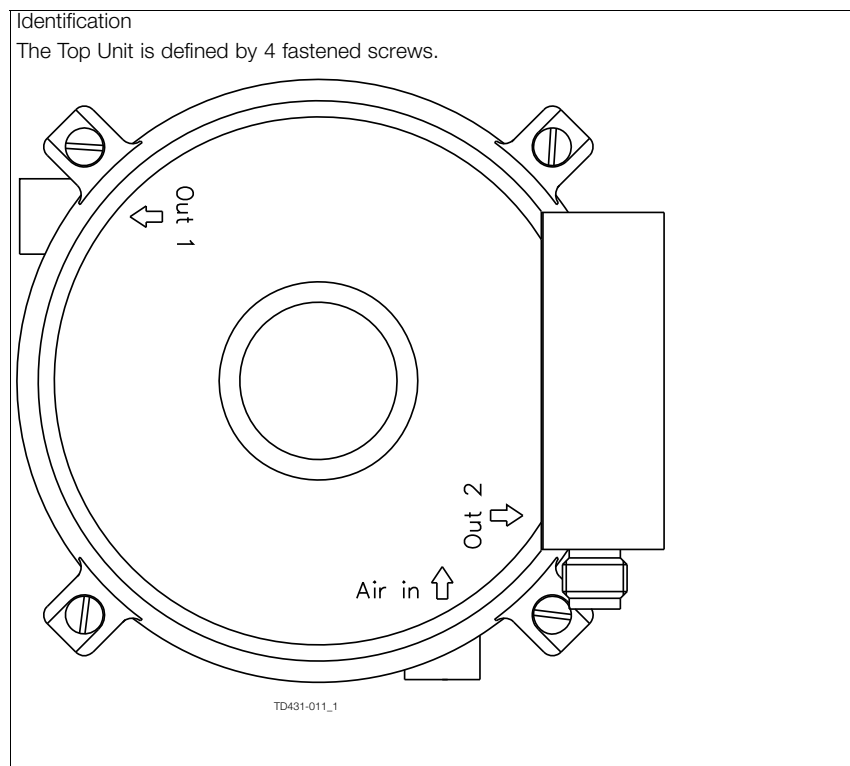


Not manufactured anymore

1.2

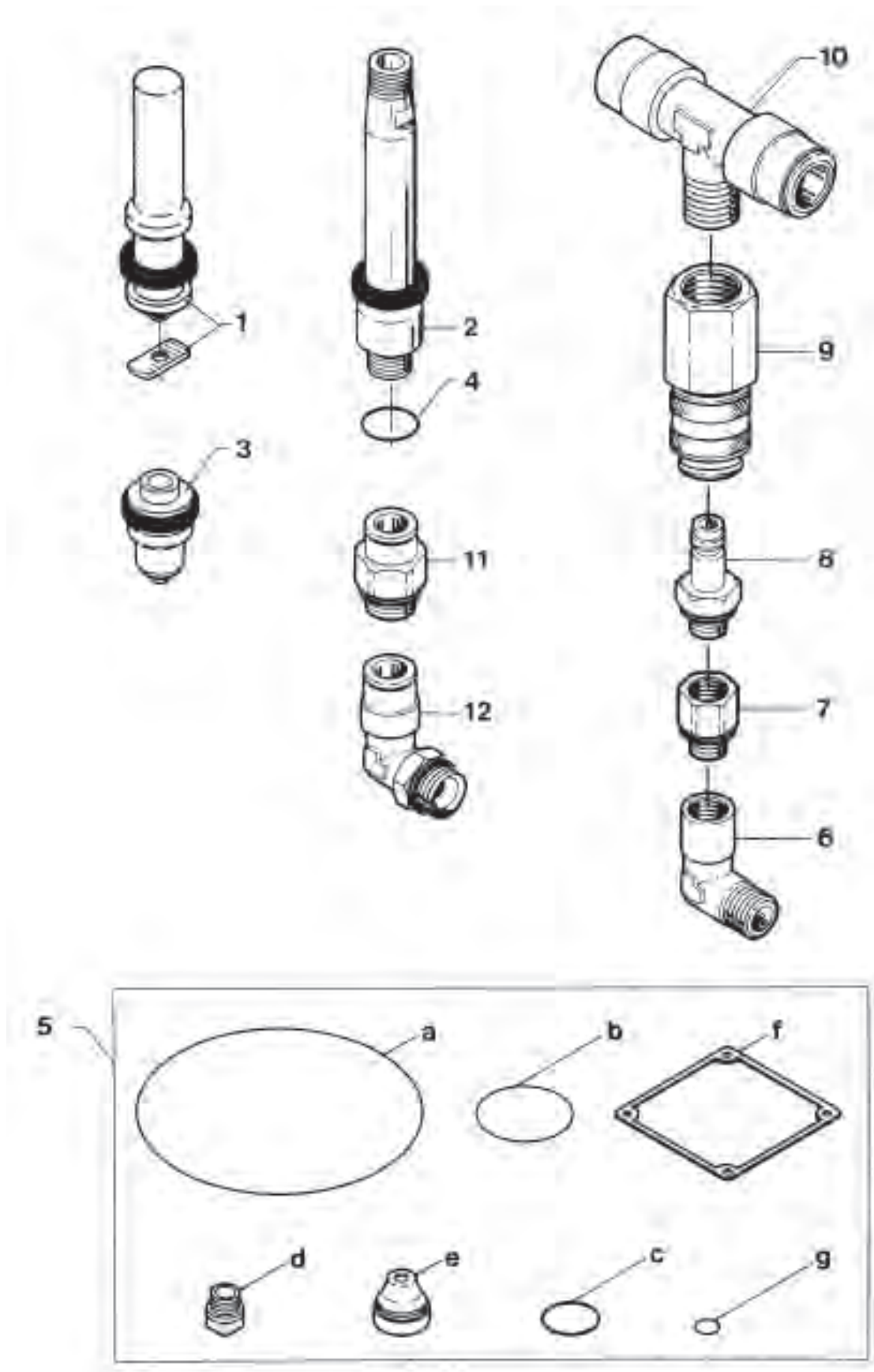


Pos	Qty	Denomination	SRC, SMP-SC, Spillage-ARC, SMP-SC, SMP-BC	SMP-EC	LKLA-T	free/SMP-TO, 5-6" SRC/ARC/SMP- BC/SMP-SC
Top Unit type LKT-S						
1	1	Extension set for Hall proximity switches				
2	1	Extension for Hall proximity switches				
3	1	Extension for Hall proximity switches				
4	1	O-ring, EPDM		22340380		
5	1	Fittings and seals set				
5a	1	O-ring, NBR				
5b	1	Quad-ring, NBR				
5c	1	O-ring, NBR	9611992129	9611992129	9611992129	9611992129
5d	1	Plug R 1/8" (BSP)	9611991221	9611991221	9611991221	9611991221
5e	1	Seal for air tube	9611992121	9611992121	9611992121	9611992121
5f	1	Seal for LKT-S box				
5g	1	Seal for screw				
6	1	Air fitting (Periode 9408 -)				
6a	1	Air fitting (Periode 9408 -)				
6b	1	Air fitting (Periode 9304-9408)				
7	1	Pipe bushing (Periode 9304-9408)				
8	1	Quick coupling / male	9611992124	9611992124	9611992124	9611992124
9	1	Quick coupling / female	9611992123	9611992123	9611992123	9611992123
10	1	Air fitting, tee	9611992125	9611992125	9611992125	9611992125
11	1	Air fitting	9611991987	9611991987	9611991987	9611991987
12	1	Swivel air fitting, 90°	9611991988	9611991988	9611991988	9611991988
13	1	Safety valve	9611992928	9611992928	9611992928	9611992928



Not manufactured anymore

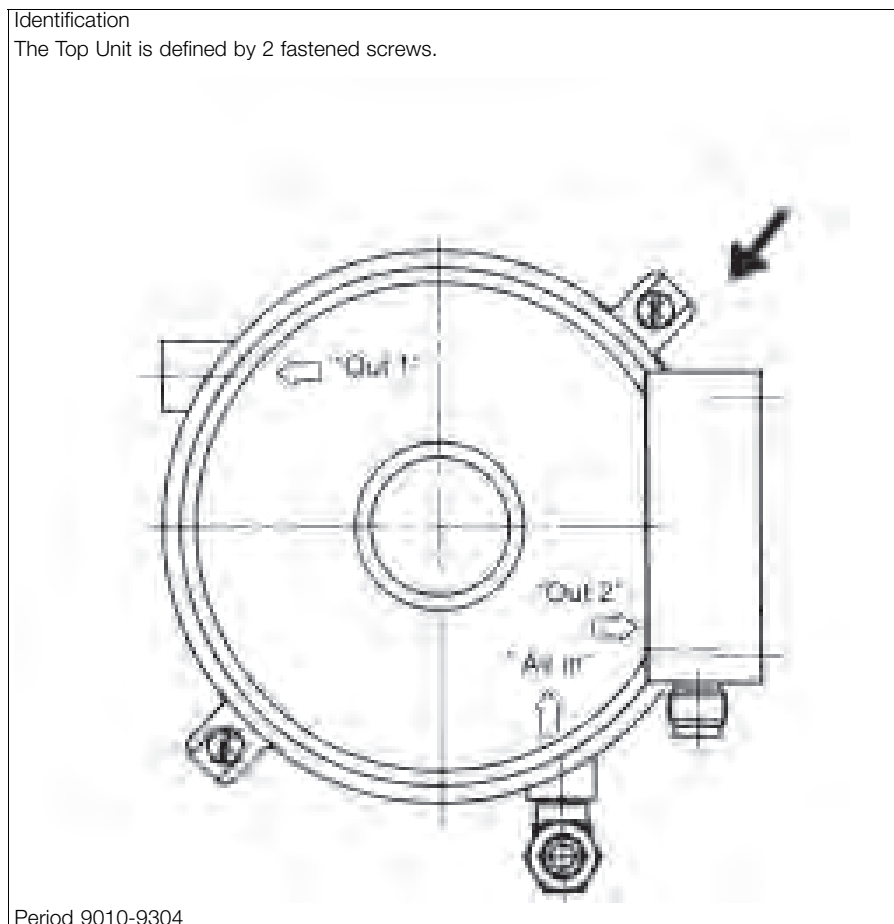
1.2



The old top unit is identified by 2 fastening screws.

Pos	Qty	Denomination	SRC		
			ARC	SMP-SC	SMP-EC
Period 9010-9304					
1	1	Extension set for Hall proximity switches	9611920051		
2	1	Extension for Hall proximity switches			
3	1	Extension for Hall proximity switches			
4	1	O-ring, EPDM		22340380	
5	1	Fittings and seals set			
5a	1	O-ring, NBR			
5b	1	O-ring, NBR			
5c	1	O-ring, NBR	9611992129	9611992129	9611992129
5d	1	Plug R 1/8" (BSP)	9611991221	9611991221	9611991221
5e	1	Seal for air tube	9611992121	9611992121	9611992121
5f	1	Seal for LKT-S box			
5g	1	Seal for screw			
6	1	Air fitting 90°			
7	1	Pipe bushing			
8	1	Quick coupling / male	9611992124	9611992124	9611992124
9	1	Quick coupling / female	9611992123	9611992123	9611992123
10	1	Air fitting, tee	9611992125	9611992125	9611992125
11	1	Air fitting	9611991987	9611991987	9611991987
12	1	Swivel air fitting,90°	9611991988	9611991988	9611991988

CAUTION: This Spare parts list is only valid for the old version.



1.3 Control

The valve control & indication are designed to provide easy and fully technical solutions in any process area. The requirements for total product flexibility and reliability, together with superior performance, are key functions for success within processing areas.



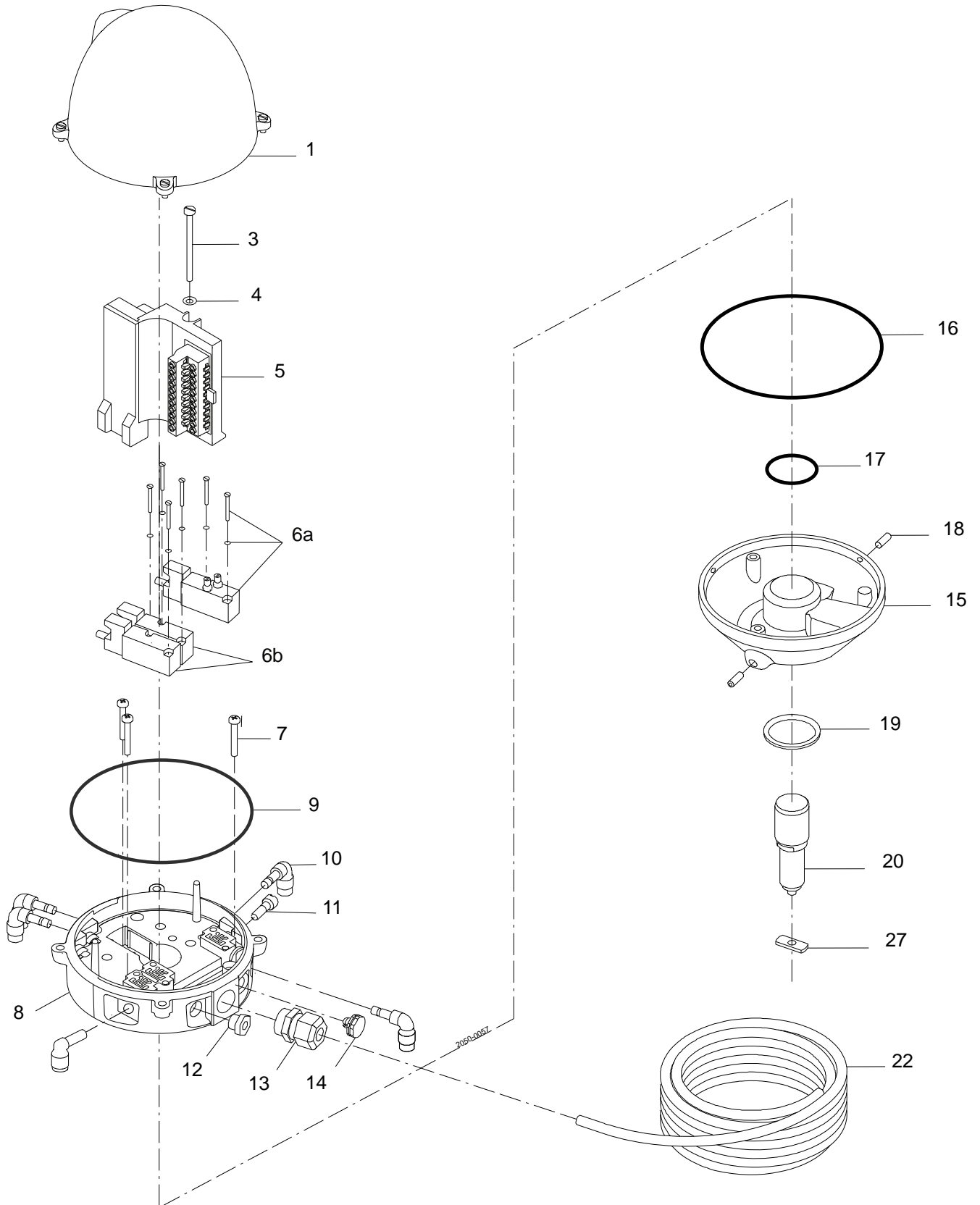
Spare parts

Digital 8-30 VDC PNP/NPN (Mounting screw 4 pcs)	1.3.58
Digital 8-30 VDC for series 700 valves (US version)	1.3.60
Digital 8-30 VAC NO/NC	1.3.62
Digital 110 VAC NO/NC	1.3.64
DeviceNet 11-25 VDC	1.3.66
AS-Interface 29.5-31.6 VDC	1.3.68
ThinkTop Basic Digital 10-30 VDC PNP/NPN	1.3.70
ThinkTop Basic Digital 10-30 VDC for Series 700 valves (US series)	1.3.72
ThinkTop Basic AS-Interface	1.3.74
ThinkTop Basic Intrinsically Safe	1.3.76
ThinkTop Basic Intrinsically Safe (2208 -)	1.3.78
ThinkTop D30	1.3.80
ThinkTop Digital 8-30 VDC PNP/NPN (Mounting screw 3 pcs)	1.3.82
ThinkTop DeviceNet 11-25 VDC	1.3.84
ThinkTop DeviceNet 11-25 for series 700 valves (US version)	1.3.86
ThinkTop AS-Interface 29.5-31.6 VDC	1.3.88
ThinkTop AS-Interface 29.5-31.6 VDC for series 700 valves (US version)	1.3.90
ThinkTop V50	1.3.92
ThinkTop V70	1.3.94

Spare parts for obsolete products

ThinkTop Digital 8-30 VAC NO/NC	1.3.96
ThinkTop Digital 110VAC NO/NC	1.3.98
Green Top for SSV valves (series 761, 761TR, Butterfly B53, 762 FDV)	1.3.100

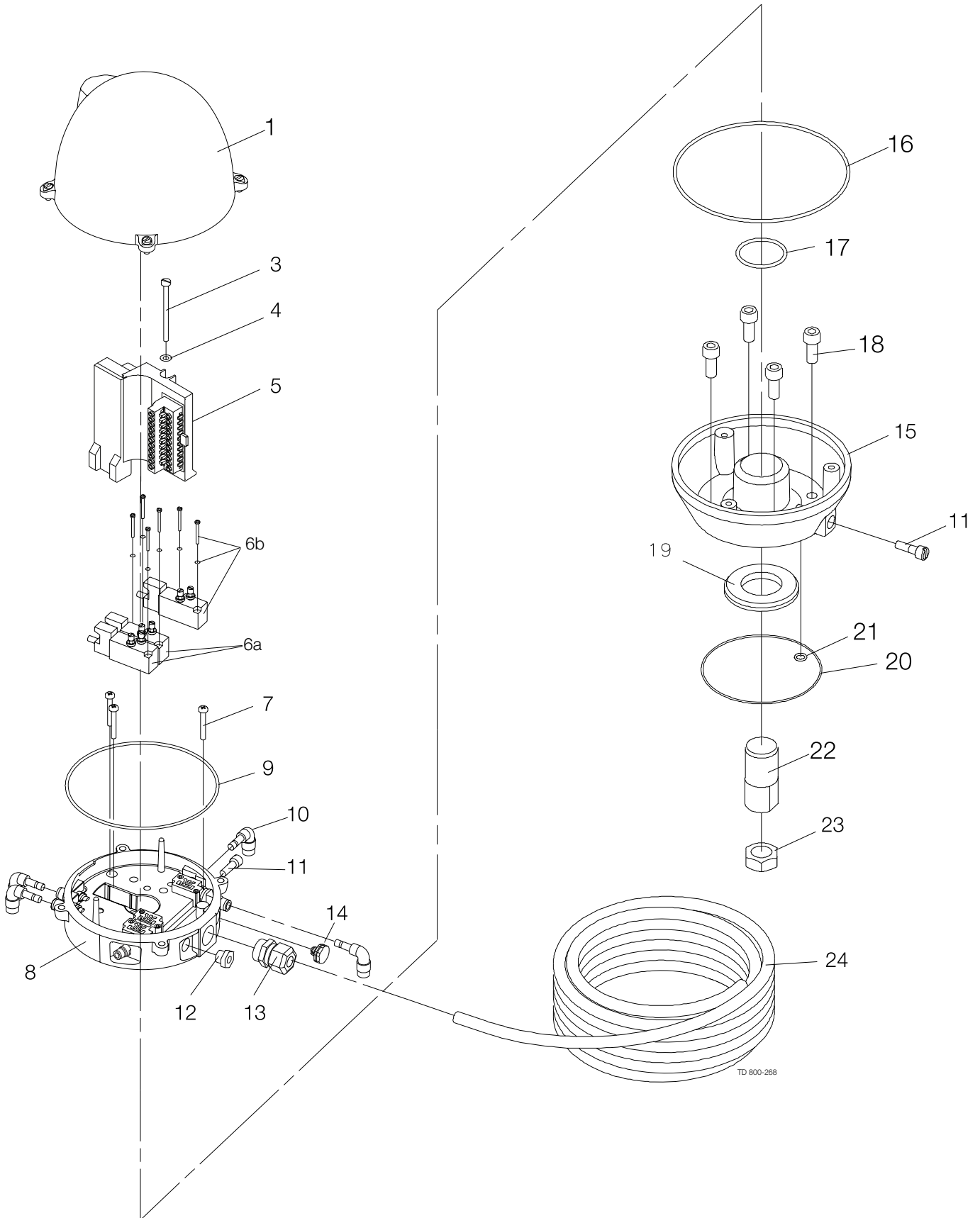
1.3



SRC, ARC,
SMP-BC,
SMP-SC SF,
Unique
Mixproof,
Unique-TO,
Unique SSV,
Unique SSV
Aseptic
SMP-TO, LKB
(LKLA-T),

Pos	Qty	Denomination	Koltek MH, AMP, SBV	Ø6 mm Air connection	1/4" Air connection
1	1	Shell complete	9613427901		
3	1	Screw	9611993458		
4	1	Washer	9611993459		
5	1	Sensor board, Digital 8-30 VDC PNP/NPN (Period 0902-)	9613443401		
	1	Solenoid board, Digital 8-30 VDC PNP/NPN (Period -0902)	9612562701		
6a	1-3	Solenoid valve, 3/2, 24 VDC	9611993324		
	1-3	Solenoid valve, 3/2, 24 VAC (Period -1406)			
	1-3	Solenoid valve, 3/2, 110 VAC (Period -1406)			
6b	1	Solenoid valve, 5/2, 24 VDC	9611993327		
	1	Solenoid valve, 5/2, 24 VAC (Period -1406)			
	1	Solenoid valve, 5/2, 110 VAC (Period -1406)			
7	3	PT screw	9611993457		
8	1	Base, complete, no solenoids (Pos.9,12,13,14 included)		9613428401	9613428201
	1	Base, complete, 3/2 24 VDC, one solenoid (Pos.9,10,11,12,13,14 included)		9613428402	9613428202
	1	Base, complete, 3/2 24 VDC, two solenoids (Pos.9,10,11,12,13,14 included)		9613428408	9613428208
	1	Base, complete, 3/2 24 VDC, three solenoids (Pos.9,10,11,12,13,14 included)		9613428411	9613428211
	1	Base, complete, 5/2 24 VDC, one solenoid (Pos.9,10,11,12,13,14 included)		9613428403	
	1	Base, complete, 3/2 24 VAC, one solenoid (Pos.9,10,11,12,13,14 included) (Period -1406)			
	1	Base, complete, 3/2 24 VAC, two solenoids (Pos.9,10,11,12,13,14 included) (Period -1406)			
	1	Base, complete, 3/2 24 VAC, three solenoids (Pos.9,10,11,12,13,14 included) (Period -1406)			
	1	Base, complete, 5/2 24 VAC, one solenoid (Pos.9,10,11,12,13,14 included) (Period -1406)			
	1	Base, complete, 3/2 110 VAC, one solenoid (Pos.9,10,11,12,13,14 included) (Period -1406)			
	1	Base, complete, 3/2 110 VAC, two solenoids (Pos.9,10,11,12,13,14 included) (Period -1406)			
	1	Base, complete, 3/2 110 VAC, three solenoids (Pos.9,10,11,12,13,14 included) (Period -1406)			
	1	Base, complete, 5/2 110 VAC, one solenoid (Pos.9,10,11,12,13,14 included) (Period -1406)			
9	1	Special X-ring, grey	9613456401		
10	1	Air fitting elbow, metal plug, black rim, ø6mm/ø6mm (Period 1304-)		9611995678	
	1	Air fitting elbow, metal plug, grey rim, ø6mm/1/4" (Period 1304-)			9611995679
	1	Air fitting elbow, black, black rim, ø6mm/ø6mm (Period - 1201)		9611995673	
	1	Air fitting elbow, 1/4"/1/4" (Period - 1201)			9611995375
11	1	Blow-off valve	9612563601		
12	1	Thread plug, PG7 ø3-ø6.5 mm	9611993407		
13	1	Cable gland, PG11 ø4-ø10 mm	9611993517		
14	1	Gore vent high airflow	9611994722		
15	1	Adapter complete (Pos. 16,17,18,19 included)	9612562101		
16	1	Special X-ring, black	9612999401		
17	1	O-ring	9611993350		
18	2	Allen screw	9611993409		
19	1	Special X-ring	9612569601		
20	1	Indication pin, complete	9612562301		
	1	Indication pin, complete for Unique SSV LS and High Pressure	9614066001		
	1	Indication pin, complete incl. steel adapter for Unique SSV LS and High Pressure valve size 76.1-101.6mm/DN80-100 (Period - 1502)	9614067101		
	1	Indication pin, complete for Unique LP 4"+6"	9614197501		
	1	Indication pin, complete for Unique HT 2½"+3"	9614079401		
	1	Indication pin, complete for Unique HT 4"+6"	9614197501		
22	1	5 m flying PVC cable, (12 x 0.5 mm ² Digital	9611993627		
27	1	Threaded plate, only for SRC/ARC valves	3135707012		

1.3

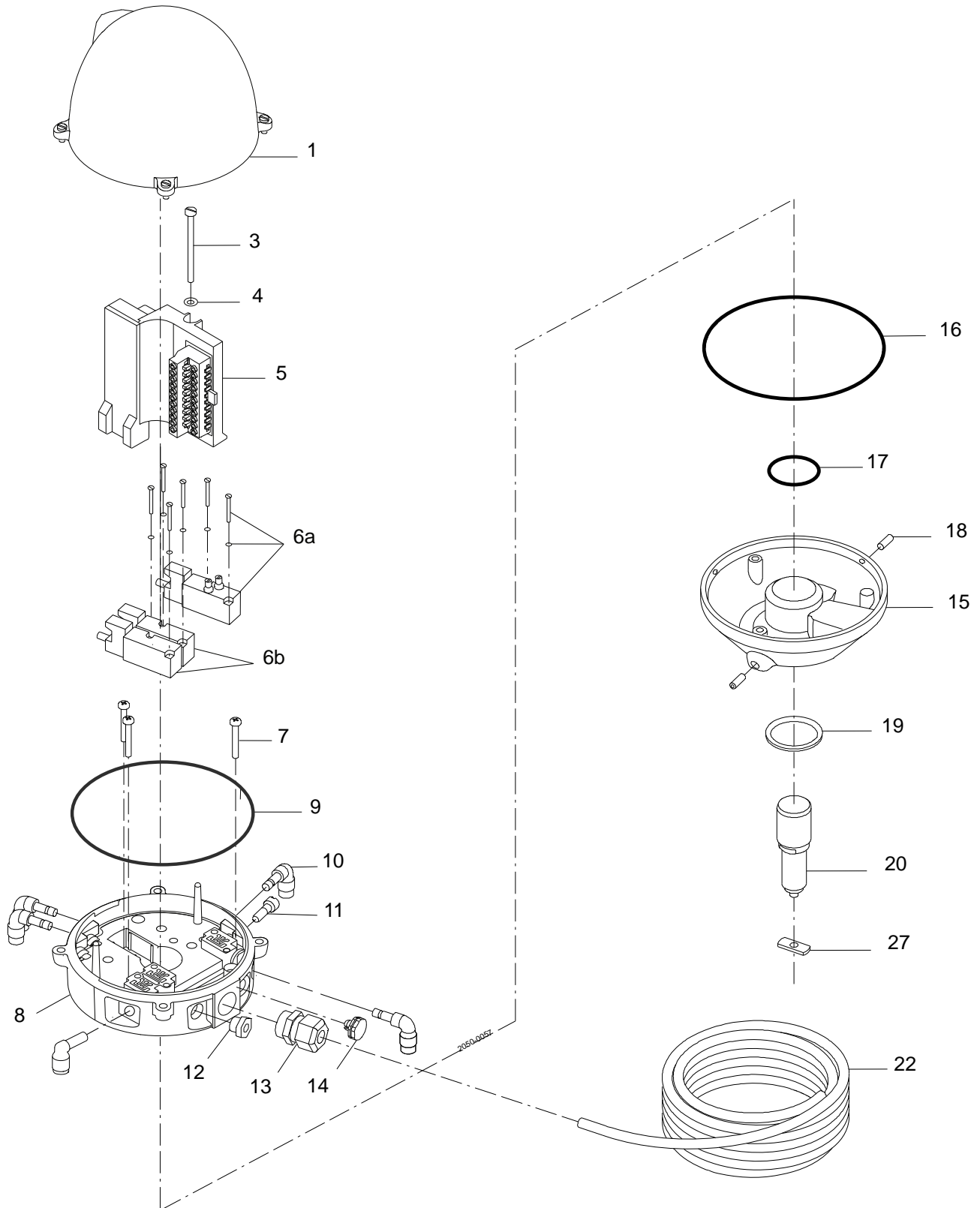


Pos	Qty	Denomination	1/4" Air connection
1	1	Shell complete	9613427901
3	1	Screw	9611993458
4	1	Washer	9611993459
5	1	Sensor board, Digital 8-30 VDC PNP/NPN (Period Q209-)	9613443401
	1	Sensor board, Digital 8-30 VDC PNP/NPN (Period -Q209)	9612562701
6	1-3	Solenoid valve 3/2, 24 VDC	9611993324
	1-3	Solenoid valve 3/2, 24 VAC (Period -1406)	
	1-3	Solenoid valve 3/2, 110 VAC (Period -1406)	
	1	Solenoid valve 5/2, 24 VDC	9611993327
	1	Solenoid valve 5/2, 24 VAC (Period -1406)	
	1	Solenoid valve 5/2, 110 VAC (Period -1406)	
7	3	PT screw	9611993457
8	1	Base, complete, no solenoids (Pos.9,12,13,14 included)	9613428201
	1	Base, complete, 3/2 24 VDC, one solenoid (Pos.9,10,11,12,13,14 included)	9613428202
	1	Base, complete, 3/2 24 VDC, two solenoids (Pos.9,10,11,12,13,14 included)	9613428208
	1	Base, complete, 3/2 24 VDC, three solenoids (Pos.9,10,11,12,13,14 included)	9613428211
	1	Base, complete, 5/2 24 VDC, one solenoid (Pos.9,10,11,12,13,14 included)	9613428203
	1	Base, complete, 3/2 24 VAC, one solenoid (Pos.9,10,11,12,13,14 included) (Period -1406)	
	1	Base, complete, 3/2 24 VAC, two solenoids (Pos.9,10,11,12,13,14 included) (Period -1406)	
	1	Base, complete, 3/2 24 VAC, three solenoids (Pos.9,10,11,12,13,14 included) (Period -1406)	
	1	Base, complete, 5/2 24 VAC, one solenoid (Pos.9,10,11,12,13,14 included) (Period -1406)	
	1	Base, complete, 3/2 110 VAC, one solenoid (Pos.9,10,11,12,13,14 included) (Period -1406)	
	1	Base, complete, 3/2 110 VAC, two solenoids (Pos.9,10,11,12,13,14 included) (Period -1406)	
	1	Base, complete, 3/2 110 VAC, three solenoids (Pos.9,10,11,12,13,14 included) (Period -1406)	
	1	Base, complete, 5/2 110 VAC, one solenoid (Pos.9,10,11,12,13,14 included) (Period -1406)	
9	1	Special X-ring, grey	9613456401
10	1	Air fitting, non changeable fittings (Period 1304 -)	
	1	Air fittings, (Period - 1201)	9611995375
11	2	Blow-off valve	9612563601
12	1	Thread plug, PG7, $\varnothing 3\text{-}\varnothing 6.5$ mm	9611993407
13	1	Cable gland, PG11, $\varnothing 4\text{-}\varnothing 10$ mm	9611993517
14	1	Gore vent	9611994722
15	1	Adapter complete (Pos. 11,16,17 included)	9612635802
16	1	Special X-ring, black	9612999401
17	1	O-ring	9611993350
18	4	Screw	9611993763
19	1	Retainer	9611994203
20	1	O-ring	9611993689
21	1	O-ring	9611993690
22	1	Indicator pin	9612635702
23	1	Nut	9611993764
24	1	5m flying PVC cable	9611993627

TD 900-390/7

Not manufactured anymore

1.3

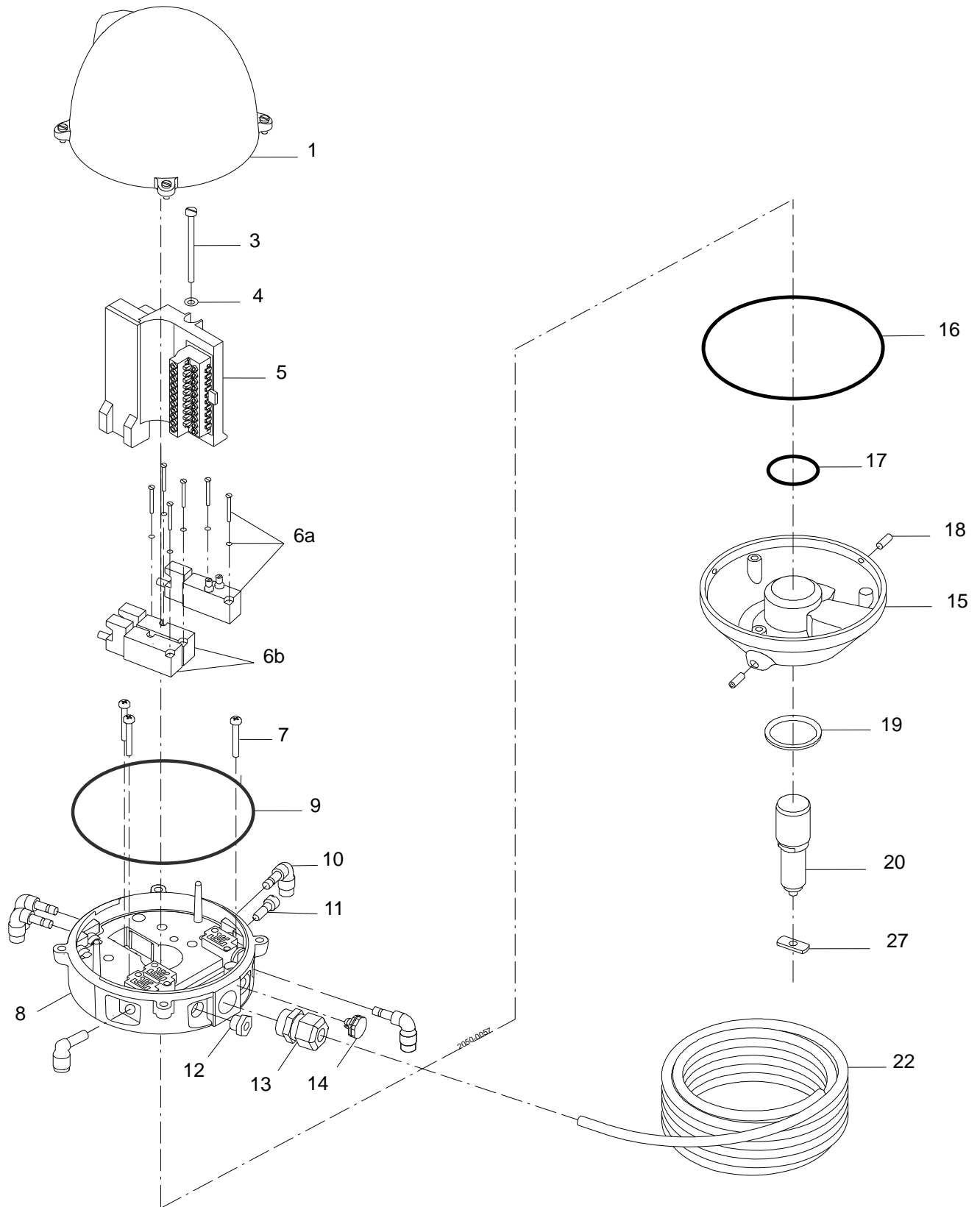


SRC, ARC,
SMP-BC,
SMP-SC SF,
Unique
Mixproof,
Unique-TO,
Unique SSV,
Unique SSV
Aseptic,
SMP-TO, LKB
(LKLA-T),

Pos	Qty	Denomination	Koltek MH, AMP, SBV	Ø6 mm Air connection	1/4" Air connection
1	1	Shell complete	9613427901		
3	1	Screw	9611993458		
4	1	Washer	9611993459		
5	1	Sensor board , Digital 8-30 VAC NO/NC (Period -1406)			
6a	1-3	Solenoid valve, 3/2, 24 VDC	9611993324		
	1-3	Solenoid valve, 3/2, 24 VAC (Period -1406)			
	1-3	Solenoid valve, 3/2, 110 VAC (Period -1406)			
6b	1	Solenoid valve, 5/2, 24 VDC	9611993327		
	1	Solenoid valve, 5/2, 24 VAC (Period -1406)			
	1	Solenoid valve, 5/2, 110 VAC (Period -1406)			
7	3	PT screw	9611993457		
8	1	Base, complete, no solenoids (Pos.9,12,13,14 included)		9613428401	9613428201
	1	Base, complete, 3/2 24 VDC, one solenoids (Pos.9,10,11,12,13,14 included)		9613428402	9613428202
	1	Base, complete, 3/2 24 VDC, two solenoids (Pos.9,10,11,12,13,14 included)		9613428408	9613428208
	1	Base, complete, 3/2 24 VDC, three solenoids (Pos.9,10,11,12,13,14 included)		9613428411	9613428211
	1	Base, complete, 5/2 24 VDC, one solenoid (Pos.9,10,11,12,13,14 included)		9613428403	
	1	Base, complete, 3/2 24 VAC, one solenoids (Pos.9,10,11,12,13,14 included) (Period -1406)			
	1	Base, complete, 3/2 24 VAC, two solenoids (Pos.9,10,11,12,13,14 included) (Period -1406)			
	1	Base, complete, 3/2 24 VAC, three solenoids (Pos.9,10,11,12,13,14 included) (Period -1406)			
	1	Base, complete, 5/2 24 VAC, one solenoid (Pos.9,10,11,12,13,14 included) (Period -1406)			
	1	Base, complete, 3/2 110 VAC, one solenoid (Pos.9,10,11,12,13,14 included) (Period -1406)			
	1	Base, complete, 3/2 110 VAC, two solenoids (Pos.9,10,11,12,13,14 included) (Period -1406)			
	1	Base, complete, 3/2 110 VAC, three solenoids (Pos.9,10,11,12,13,14 included) (Period -1406)			
	1	Base, complete, 5/2 110 VAC, one solenoid (Pos.9,10,11,12,13,14 included) (Period -1406)			
9	1	Special X-ring, grey	9613456401		
10	1	Air fitting elbow, metal plug, black rim, Ø6mm/Ø6mm (Period 1304-)		9611995678	
	1	Air fitting elbow, metal plug, grey rim, Ø6mm/1/4" (Period 1304-)			9611995679
	1	Air fitting elbow, black, black rim, Ø6mm/Ø6mm (Period-1201)		9611995673	
	1	Air fitting elbow, 1/4"/1/4" (Period-1201)			9611995375
11	1	Blow-off valve	9612563601		
12	1	Thread plug, PG7 Ø3-Ø6.5 mm	9611993407		
13	1	Cable gland, PG11 Ø4-Ø10 mm	9611993517		
14	1	Gore vent high airflow	9611994722		
15	1	Adapter complete (pos.16,17,18,19 included)	9612562101		
16	1	Special X-ring, black	9612999401		
17	1	O-ring	9611993350		
18	2	Allen screw	9611993409		
19	1	Special X-ring	9612569601		
20	1	Indication pin, complete	9612562301		
	1	Indication pin, complete for Unique SSV LS and High Pressure	9614066001		
	1	Indication pin, complete incl. steel adapter for Unique SSV LS and High Pressure valve size 76.1-101.6mm/DN80-100 (Period - 1502)	9614067101		
	1	Indication pin, complete for Unique LP 4"+6"	9614197501		
	1	Indication pin, complete for Unique HT 2½"+3"	9614079401		
	1	Indication pin, complete for Unique HT 4"+6"	9614197501		
22	1	5m. flying PVC cable, (12 x 0.5 mm ²) Digital	9611993627		
27	1	Threaded plate only for SRC/ARC valves	3135707012		

Not manufactured anymore

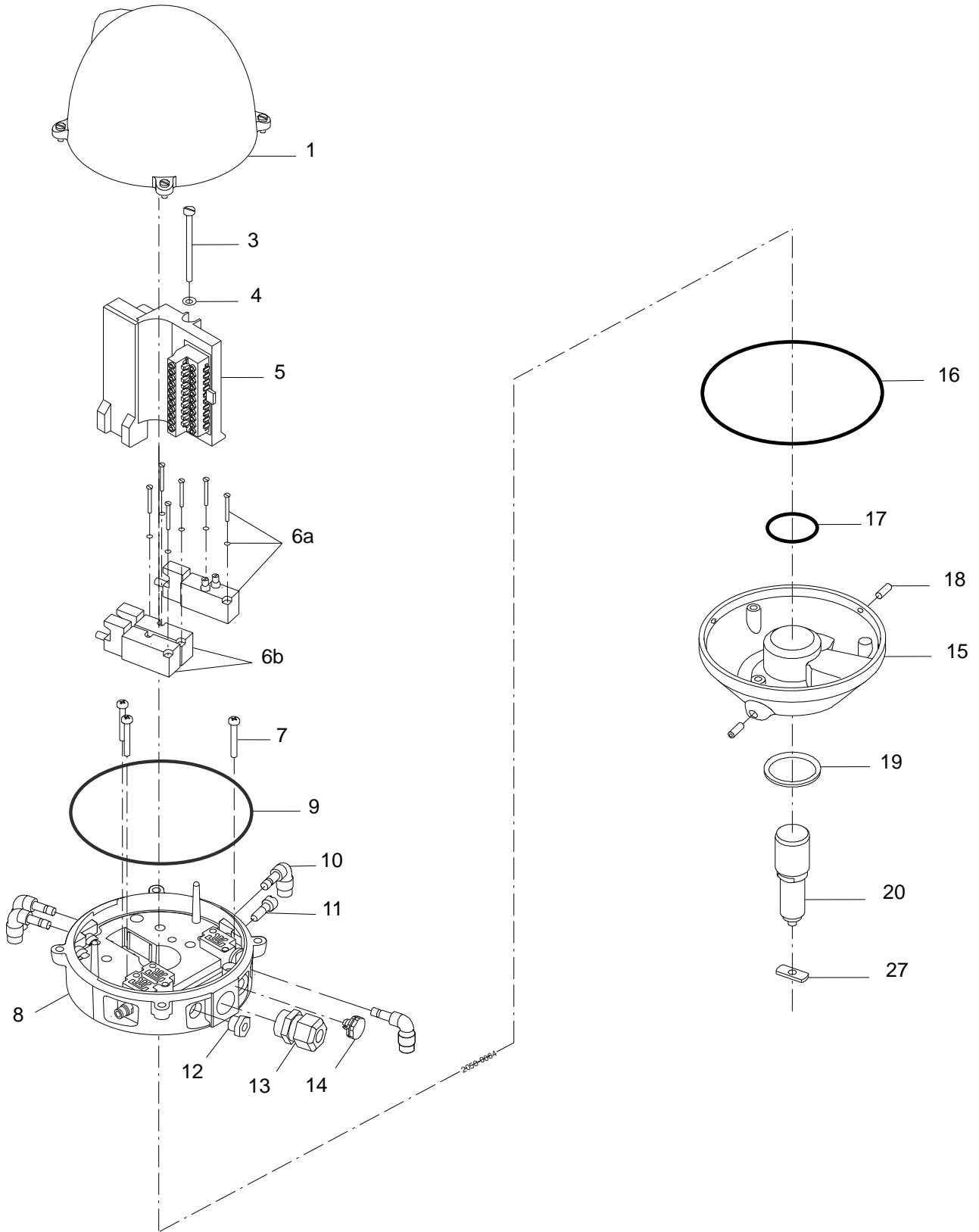
1.3



SRC, ARC,
SMP-BC,
SMP-SC SF,
Unique
Mixproof,
Unique-TO,
Unique SSV,
Unique SSV
Aseptic,
SMP-TO, LKB
(LKLA-T),
Kolttek MH,
AMP, SBV

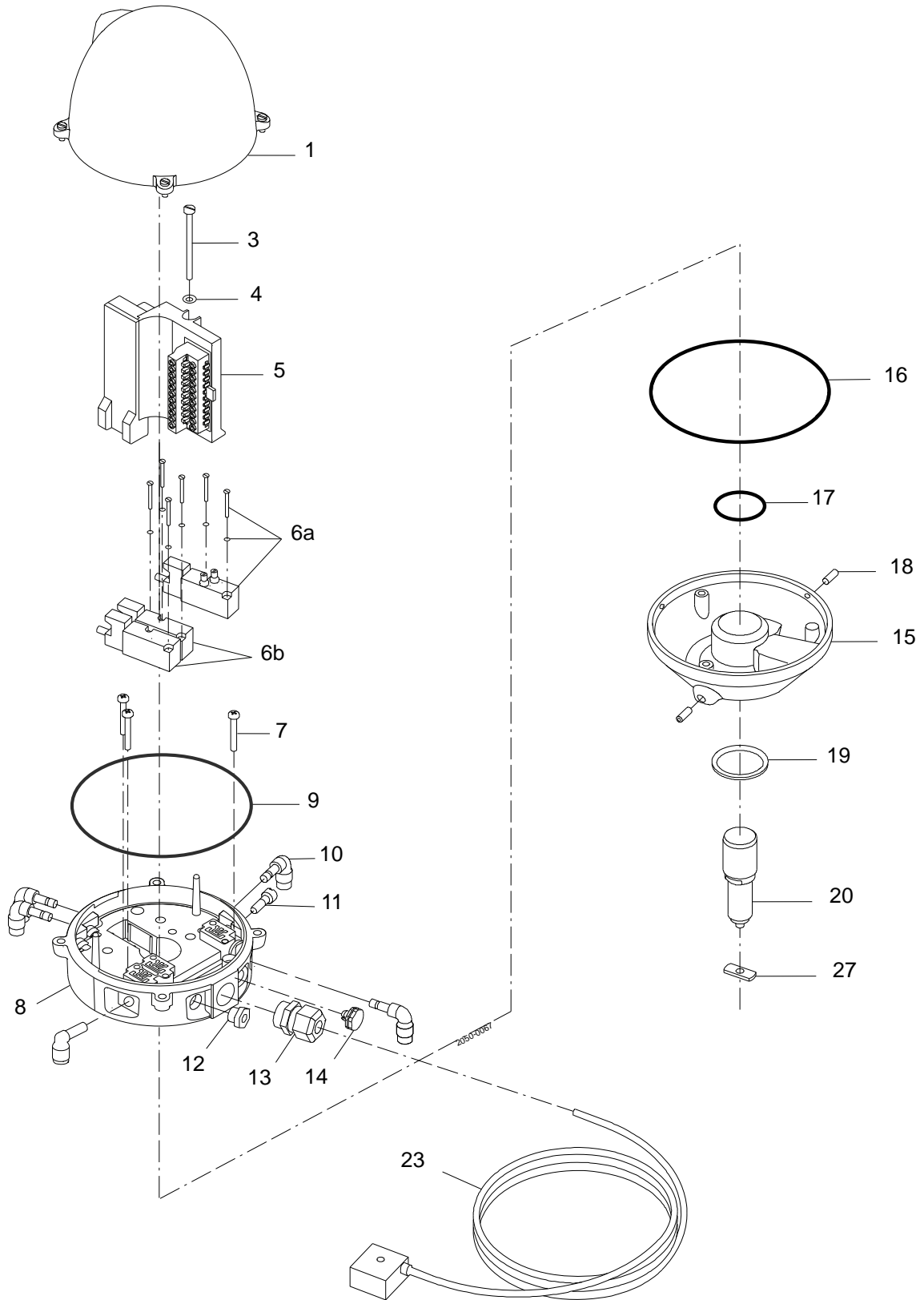
Pos	Qty	Denomination		ø6 mm Air connection	1/4" Air connection
1	1	Shell complete	9613427901		
3	1	Screw	9611993458		
4	1	Washer	9611993459		
6a	1-3	Solenoid valve, 3/2, 24 VDC	9611993324		
	1-3	Solenoid valve, 3/2, 24 VAC (Period -1406)			
	1-3	Solenoid valve, 3/2, 110 VAC (Period -1406)			
6b	1	Solenoid valve, 5/2, 24 VDC	9611993327		
	1	Solenoid valve, 5/2, 24 VAC (Period -1406)			
	1	Solenoid valve, 5/2, 110 VAC (Period -1406)			
7	3	PT screw	9611993457		
8	1	Base, complete, no solenoids (Pos. 9,12,13,14 included)		9613428401	9613428201
	1	Base, complete, 3/2 24 VDC, one solenoids (Pos.9,10,11,12,13,14 included)		9613428402	9613428202
	1	Base, complete, 3/2 24 VDC, two solenoids (Pos.9,10,11,12,13,14 included)		9613428408	9613428208
	1	Base, complete, 3/2 24 VDC, three solenoids (Pos.9,10,11,12,13,14 included)		9613428411	9613428211
	1	Base, complete, 5/2 24 VDC, one solenoid (Pos.9,10,11,12,13,14 included)		9613428403	
	1	Base, complete, 3/2 24 VAC, one solenoids (Pos.9,10,11,12,13,14 included) (Period -1406)			
	1	Base, complete, 3/2 24 VAC, two solenoids (Pos.9,10,11,12,13,14 included) (Period -1406)			
	1	Base, complete, 3/2 24 VAC, three solenoids (Pos.9,10,11,12,13,14 included) (Period -1406)			
	1	Base, complete, 5/2 24 VAC, one solenoid (Pos.9,10,11,12,13,14 included) (Period -1406)			
	1	Base, complete, 3/2 110 VAC, one solenoid (Pos.9,10,11,12,13,14 included) (Period -1406)			
	1	Base, complete, 3/2 110 VAC, two solenoids (Pos.9,10,11,12,13,14 included) (Period -1406)			
	1	Base, complete, 3/2 110 VAC, three solenoids (Pos.9,10,11,12,13,14 included) (Period -1406)			
	1	Base, complete, 5/2 110 VAC, one solenoid (Pos.9,10,11,12,13,14 included) (Period -1406)			
9	1	Special X-ring, grey	9613456401		
10	1	Air fitting elbow, metal plug, black rim, ø6mm/ø6mm (Period -1304)		9611995678	
	1	Air fitting elbow, metal plug, grey rim, ø6mm/1/4" (Period 1304-)			9611995679
	1	Air fitting elbow, black, black rim, ø6mm/ø6mm (Period-1201)		9611995673	
	1	Air fitting elbow, 1/4"/1/4" (Period-1201)			9611995375
11	1	Blow-off valve	9612563601		
12	1	Thread plug, PG7 ø3-ø6.5 mm	9611993407		
13	1	Cable gland, PG11 ø4-ø10 mm	9611993517		
14	1	Gore vent high airflow	9611994722		
15	1	Adapter complete (pos.16,17,18,19 included)	9612562101		
16	1	Special X-ring, black	9612999401		
17	1	O-ring	9611993350		
18	2	Allen screw	9611993409		
19	1	Special X-ring	9612569601		
20	1	Indication pin, complete	9612562301		
	1	Indication pin, complete for Unique SSV LS and High Pressure	9614066001		
	1	Indication pin, complete incl. steel adapter for Unique SSV LS and High Pressure valve size 76.1-101.6mm/DN80-100 (Period -1502)	9614067101		
	1	Indication pin, complete for Unique LP 4"+6"	9614197501		
	1	Indication pin, complete for Unique HT 2½"+3"	9614079401		
	1	Indication pin, complete for Unique HT 4"+6"	9614197501		
22	1	5m. flying PVC cable, (12 x 0.5 mm ²) Digital	9611993627		
27	1	Threaded plate only for SRC/ARC valves	3135707012		

1.3



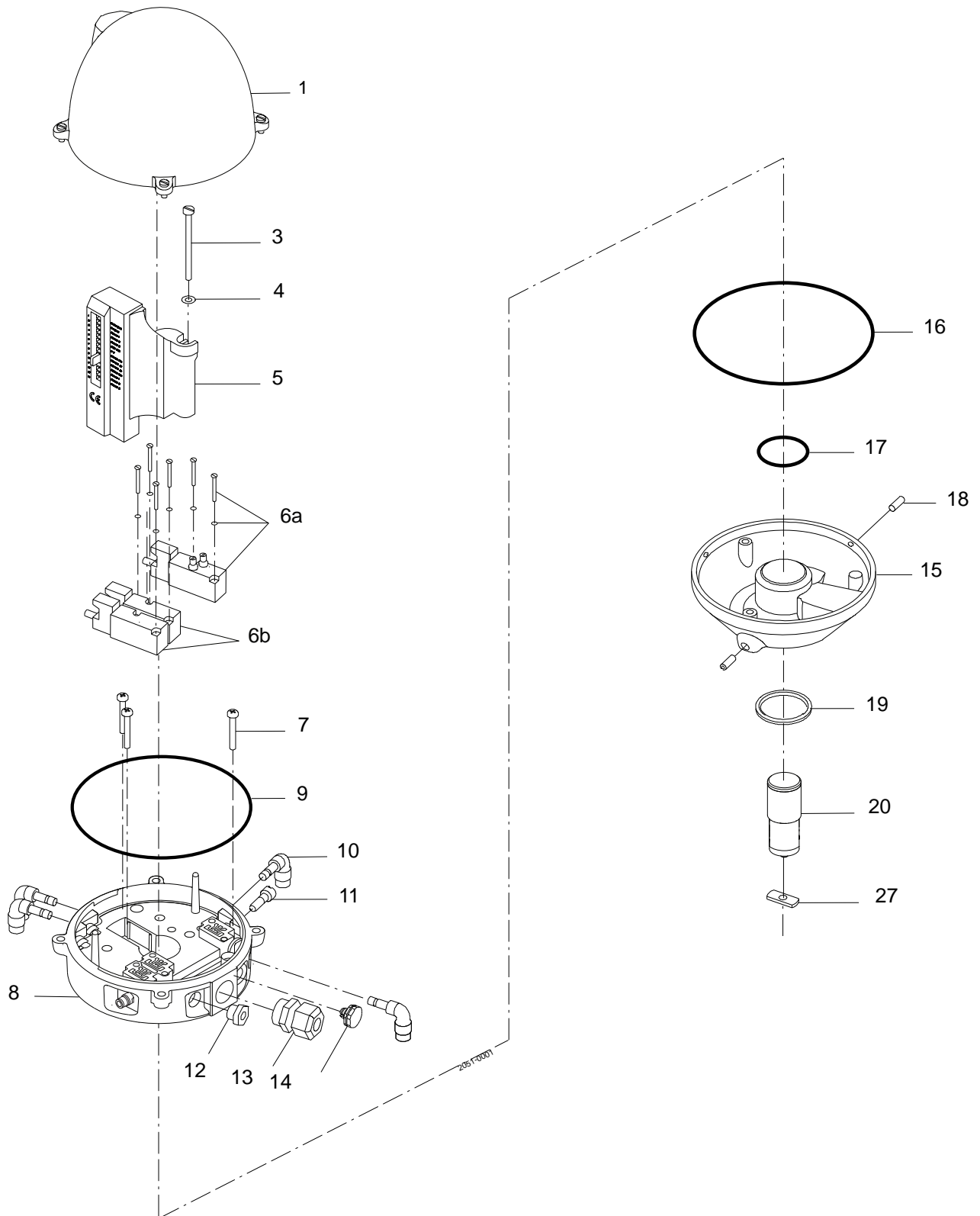
Pos	Qty	Denomination	SRC, ARC, SMP-BC, SMP-SC SF, Unique Mixproof, Unique-TO, Unique SSV, Unique SSV Aseptic, SMP-TO, LKB (LKLA-T), Koltek MH, AMP, SBV	Ø6 mm Air connection	1/4" Air connection
1	1	Shell complete	9613427901		
3	1	Screw	9611993458		
4	1	Washer	9611993459		
5	1	Sensor board DeviceNet 11-25 VDC, (Period 1206-)	9613443404		
	1	Sensor board DeviceNet 11-25 VDC, (Period -1206)	9612562704		
6a	1-3	Solenoid valve, 3/2, 8 VDC	9611993748		
6b	1	Solenoid valve, 5/2, 8 VDC	9611993749		
7	3	PT screw	9611993457		
8	1	Base, complete, no solenoids (Pos.9,12,13,14 included)		9613428401	9613428201
	1	Base, complete, 3/2 8 VDC, one solenoid (Pos. 9,10,11,12,13,14 included)		9613428416	9613428216
	1	Base, complete, 3/2 8 VDC, two solenoids (Pos. 9,10,11,12,13,14 included)		9613428417	9613428217
	1	Base, complete, 3/2, 8 VDC, three solenoids (Pos. 9,10,11,12,13,14 included)		9613428418	9613428218
	1	Base, complete, 5/2 8 VDC, one solenoid (Pos. 9,10,11,12,13,14 included)		9613428419	9613428219
9	1	Special X-ring, grey	9613456401		
10	1	Air fitting elbow, metal plug, black rim, Ø6mm/Ø6mm (Period 1304-)		9611995678	
	1	Air fitting elbow, metal plug, grey rim, Ø6mm/1/4" (Period 1304-)			9611995679
	1	Air fitting elbow, black, black rim, Ø6mm/Ø6mm (Period-1201)		9611995673	
	1	Air fitting elbow, 1/4"/1/4" (Period - 1201)			9611995375
11	1	Blow-off valve	9612563601		
12	1	Thread plug, PG7 Ø3-Ø6.5 mm	9611993407		
13	1	Cable gland, PG11 Ø4-Ø10 mm	9611993517		
14	1	Gore vent high airflow	9611994722		
15	1	Adapter complete (pos. 16,17,18,19 included)	9612562101		
16	1	Special X-ring, black	9612999401		
17	1	O-ring	9611993350		
18	2	Allen screw	9611993409		
19	1	Special X-ring	9612569601		
20	1	Indication pin, complete	9612562301		
	1	Indication pin, complete for Unique SSV LS and High Pressure	9614066001		
	1	Indication pin, complete incl. steel adapter for Unique SSV LS and High Pressure valve size 76.1-101.6mm/DN80-100 (Period -1502)	9614067101		
	1	Indication pin, complete for Unique LP 4"+6"	9614197501		
	1	Indication pin, complete for Unique HT 2½"+3"	9614079401		
	1	Indication pin, complete for Unique HT 4"+6"	9614197501		
27	1	Threaded plate only for SRC/ARC valves	3135707012		

1.3



Pos	Qty	Denomination	SRC, ARC, SMP-BC, SMP-SC SF, Unique Mixproof, Unique-TO, Unique SSV, Unique SSV Aseptic, SMP-TO, LKB (LKLA-T), Koltek MH, AMP, SBV	Ø6 mm Air connection	1/4" Air connection
1	1	Shell complete	9613427901		
3	1	Screw	9611993458		
4	1	Washer	9611993459		
5	1	Sensor board, AS-Interface v.2.11 (31 node) (Period 0902-)	9613443402		
	1	Sensor board, AS-Interface v. 3.0 (62 node) (Period 0902-)	9613443403		
	1	Sensor board, AS-Interface 29.5-31.6 VDC (Period -0902)	9612562703		
6a	1-3	Solenoid valve 3/2, 24 VDC	9611993324		
6b	1	Solenoid valve 5/2, 24 VDC	9611993327		
7	3	PT screw	9611993457		
8	1	Base, complete, no solenoids (Pos.9,12,13,14 included)		9613428401	9613428201
	1	Base, complete, 3/2 24 VDC, one solenoid (Pos.9,10,11,12,13,14 included)		9613428402	9613428202
	1	Base, complete, 3/2 24 VDC, two solenoids (Pos.9,10,11,12,13,14 included)		9613428408	9613428208
	1	Base, complete, 3/2 24 VDC, three solenoids (Pos.9,10,11,12,13,14 included)		9613428411	9613428211
	1	Base, complete, 5/2 24 VDC, one solenoid (Pos.9,10,11,12,13,14 included)		9613428403	
9	1	Special X-ring, grey	9613456401		
10	1	Air fitting, elbow, metal plug, black rim, Ø6mm/Ø6mm (Period 1304 -)		9611995678	
	1	Air fitting elbow, metal plug, grey rim, Ø6mm/1/4" (Period 1304 -)			9611995679
	1	Air fitting elbow, black with black rim, Ø6mm/Ø6mm (Period - 1201)		9611995673	
	1	Air fitting elbow, 1/4"/1/4" (Period - 1201)			9611995375
11	1	Blow-off valve	9612563601		
12	1	Thread plug, PG7, Ø3-Ø6.5 mm	9611993407		
13	1	Cable gland, PG11, Ø4-Ø10 mm	9611993517		
14	1	Gore vent	9611994722		
15	1	Adapter complete, (pos. 16,17,18,19 included)	9612562101		
16	1	Special X-ring, black	9612999401		
17	1	O-ring	9611993350		
18	2	Allen screw	9611993409		
19	1	Special X-ring	9612569601		
20	1	Indication pin, complete	9612562301		
	1	Indication pin, complete for Unique SSV LS and High Pressure	9614066001		
	1	Indication pin, complete incl. steel adapter for Unique SSV LS and High Pressure valve size 76.1-101.6mm/DN80-100 (Period -1502)	9614067101		
	1	Indication pin, complete for Unique LP 4"+6"	9614197501		
	1	Indication pin, complete for Unique HT 2½"+3"	9614079401		
	1	Indication pin, complete for Unique HT 4"+6"	9614197501		
23	1	2 m ASI drop cable, (2 x 0.5 mm ²) with flat cable connector	9611993518		
27	1	Threaded plate, only for SRC/ARC valves	3135707012		

1.3

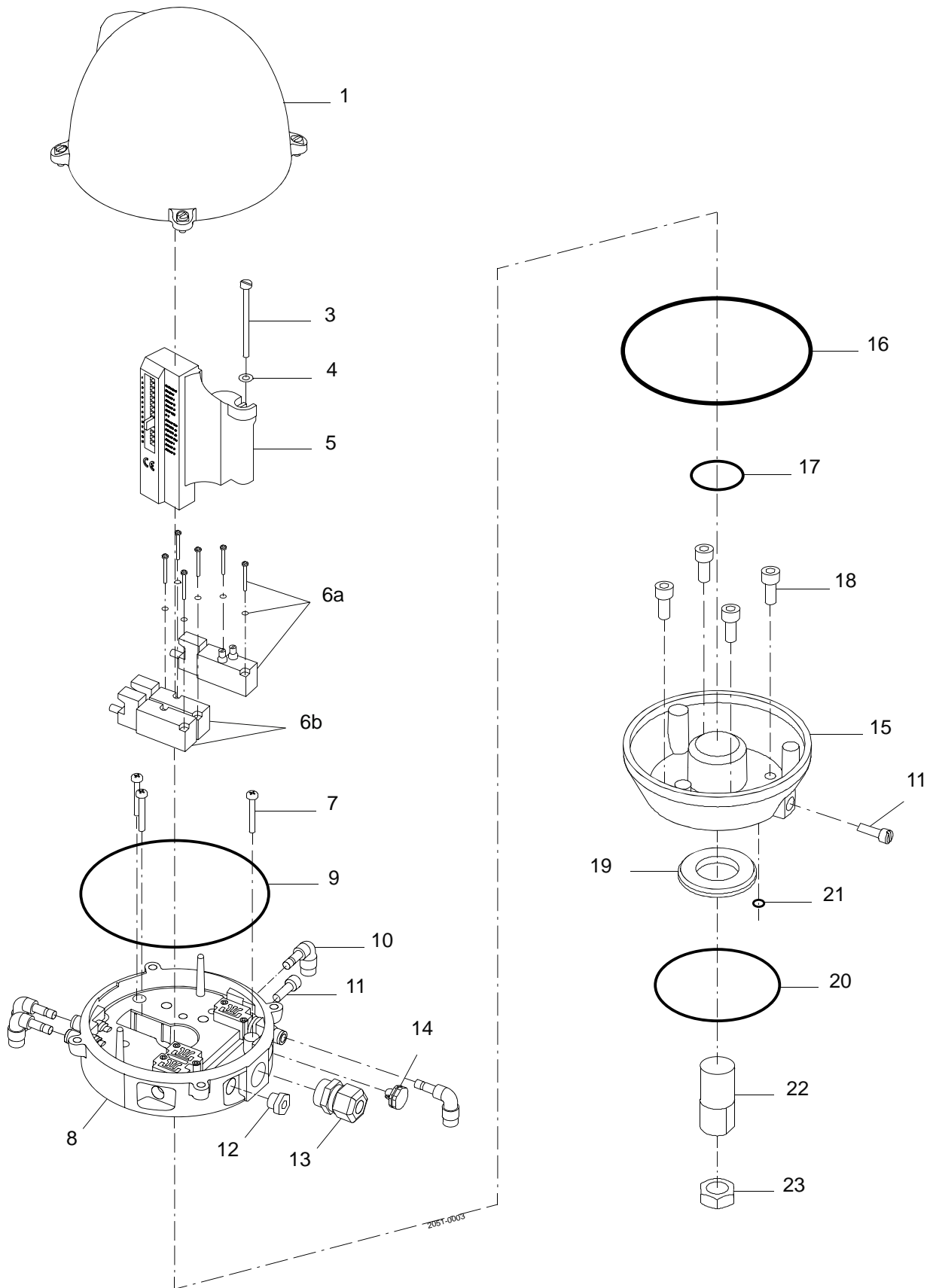


SRC, ARC,
SMP-BC,
SMP-SC SF,
Unique
Mixproof,
Unique-TO,
Unique SSV,
Unique SSV
Aseptic
SMP-TO, LKB
(LKLA-T),
Kolttek MH,
AMP, SBV

Ø6 mm Air
connection
1/4" Air
connection

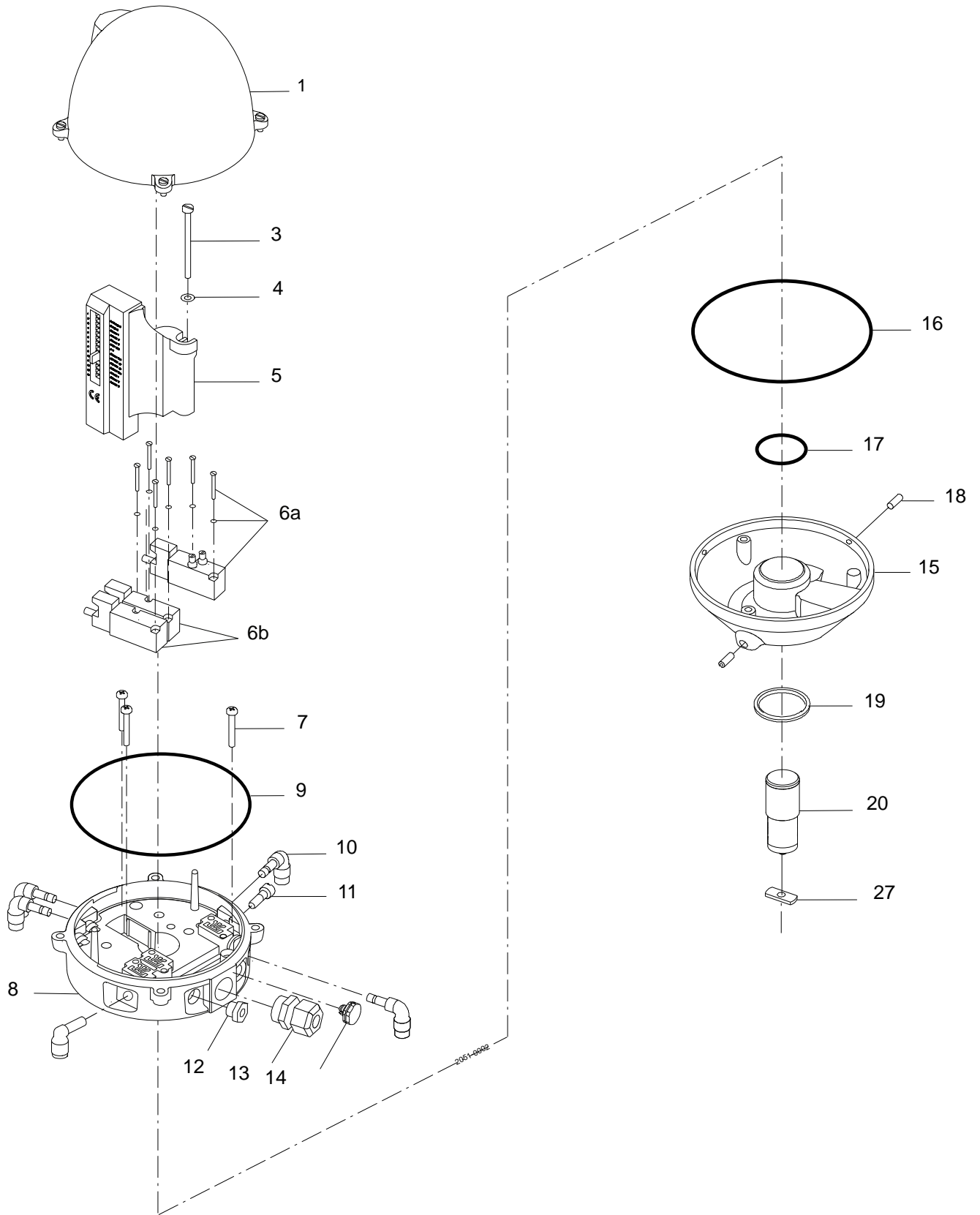
Pos	Qty	Denomination		Ø6 mm Air connection	1/4" Air connection
1	1	Shell complete	9613419301		
3	1	Screw	9611993458		
4	1	Washer	9611993459		
5	1	Sensor board , Digital 10-30 VDC PNP/NPN	9613419201		
6a	1-2	Solenoid valve (3/2), 24 VDC	9611994635		
6b	1	Solenoid valve (3/2 or 5/2), 24 VDC	9611993327		
7	3	PT screw	9611993457		
8	1	Base, complete, no solenoids (pos.9,12,13,14 included)		9613419701	9613419601
	1	Base, complete, 3/2 24 VDC, one solenoid (Pos.9,10,11,12,13,14 included)		9613419702	9613419602
	1	Base, complete, 3/2 24 VDC, two solenoids (Pos.9,10,11,12,13,14 included)		9613419704	9613419604
	1	Base, complete, 3/2 24 VDC, three solenoids (Pos.9,10,11,12,13,14 included)		9613419705	9613419605
	1	Base, complete, 5/2 24 VDC, one solenoid (Pos.9,10,11,12,13,14 included)		9613419703	9613419603
9	1	Special X-ring, grey	9613456401		
10	1	Air fitting elbow, metal plug, black rim, ø6mm/ø6mm (Period 1304-)		9611995678	
	1	Air fitting elbow, metal plug, grey rim, ø6mm/1/4" (Period 1304-)			9611995679
	1	Air fitting elbow, black, black rim, ø6mm/ø6mm (period - 1201)		9611995673	
	1	Air fitting elbow, 1/4"/1/4" (Period -1201)			9611995375
11	1	Blow-off valve	9612563603		
12	1	Thread plug, PG7 ø3-ø6.5 mm	9611993407		
13	1	Cable gland (or optimal M12 plug)	9611993517		
14	1	Gore vent	9611994722		
15	1	Adapter complete, (pos. 16,17,18,19 included)	9612562103		
16	1	Special X-ring, black	9612999401		
17	1	O-ring	9611993350		
18	2	Allen screw	9611993409		
19	1	Special X-ring	9612569601		
20	1	Indication pin, complete	9612562301		
	1	Indication pin, complete for Unique SSV LS and High Pressure	9614066001		
	1	Indication pin, complete incl. steel adapter for Unique SSV LS and High Pressure valve size 76.1-101.6mm/DN80-100 (Period - 1502)	9614067101		
22	1	5 m flying PVC cable, (12x0.5mm ² digital)	9611993627		
27	1	Threaded plate only for SRC/ARC valves (accessory for the Think Top)	3135707012		

1.3



Pos	Qty	Denomination	1/4" Air connection
1	1	Shell complete	9613419301
3	1	Screw	9611993458
4	1	Washer	9611993459
5	1	Sensor board, 10-30 VDC PNP/NPN	9613419201
6a	1-2	Solenoid valve (3/2), 24 VDC	9611994635
6b	1	Solenoid valve (3/2 or 5/2), 24 VDC	9611993327
7	3	PT screw	9611993457
8	1	Base, complete, no solenoids (Pos.9,12,13,14 included)	9613419601
	1	Base, complete, 3/2 24 VDC, one solenoid (Pos.9,10,11,12,13,14 included)	9613419602
	1	Base, complete, 3/2 24 VDC, two solenoids (Pos.9,10,11,12,13,14 included)	9613419604
	1	Base, complete, 3/2 24 VDC, three solenoids (Pos.9,10,11,12,13,14 included)	9613419605
	1	Base, complete, 5/2 24 VDC, one solenoid (Pos.9,10,11,12,13,14 included)	9613419603
9	1	Special X-ring, grey	9613456401
10	2-5	Air fitting	9611993433
11	2	Blow-off valve	9612563603
12	1	Thread plug, PG7 \varnothing 3- \varnothing 6.5 mm	9611993407
13	1	Cable gland, PG11 \varnothing 4- \varnothing 10 mm	9611993517
14	1	Gore vent	9611994722
15	1	Adapter complete, (pos. 11, 16, 17 included)	9612635802
16	1	Special X-ring, black	9612999401
17	1	O-ring	9611993350
18	4	Screw	9611993763
19	1	Retainer	9611994203
20	1	O-ring	9611993689
21	1	O-ring	9611993690
22	1	Indicator pin	9612635702
23	1	Nut	9611993764

1.3



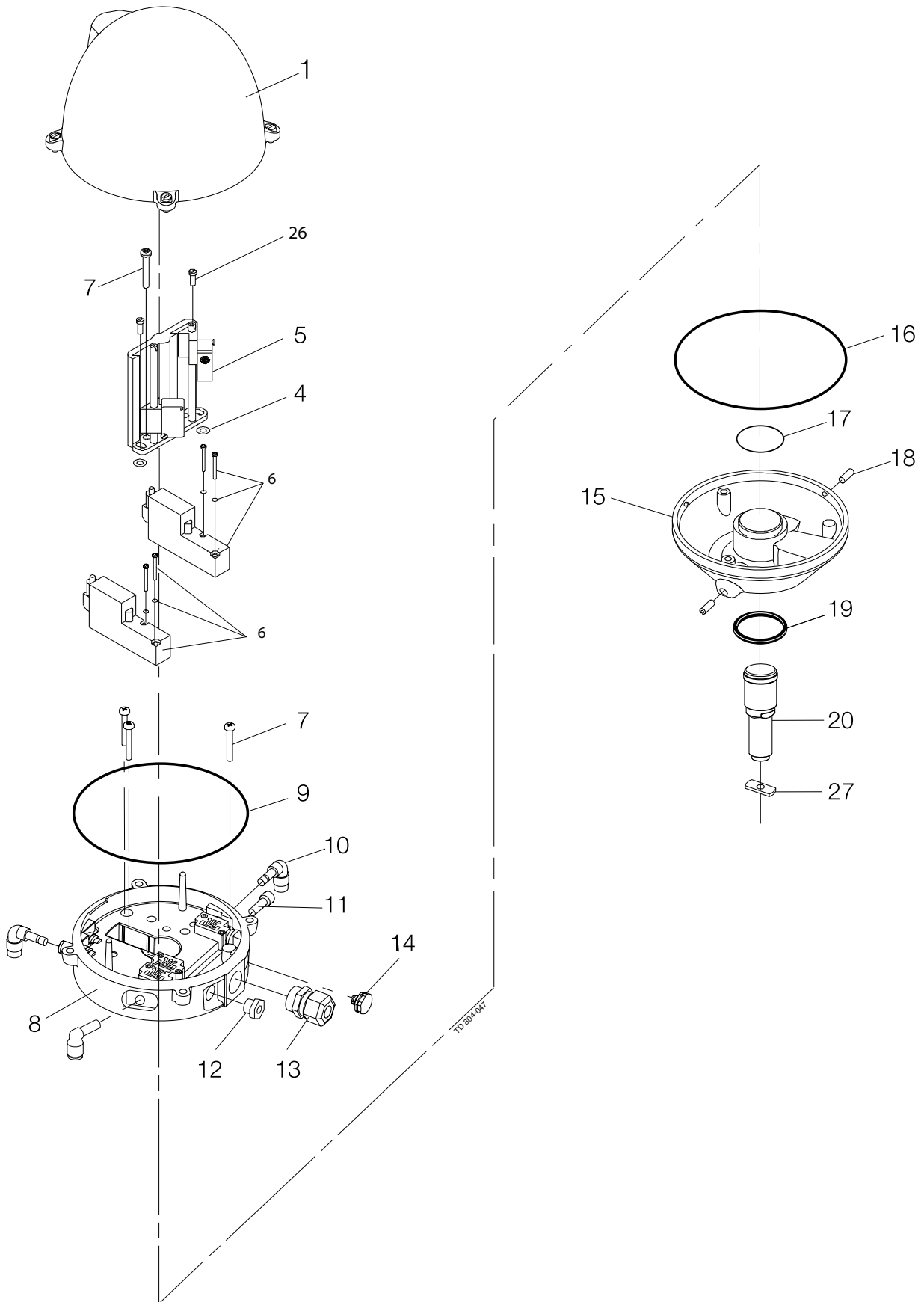
SRC, ARC,
SMP-BC,
SMP-SC SF,
Unique
Mixproof,
Unique-TO,
Unique SSV,
Unique SSV
Aseptic
SMP-TO, LKB
(LKLA-T),
Koltek MH,
AMP, SBV

Ø6 mm Air
connection
1/4" Air
connection

Pos	Qty	Denomination		Ø6 mm Air connection	1/4" Air connection
1	1	Shell complete	9613419301		
3	1	Screw	9611993458		
4	1	Washer	9611993459		
5	1	Sensor board, AS-Interface	9613475401		
6a	1-2	Solenoid valves (3/2), 24 VDC	9611994635		
6b	1	Solenoid valves (3/2 or 5/2), 24 VDC	9611993327		
7	3	PT screw	9611993457		
8	1	Base, complete, no solenoids (pos. 9,12,13,14 included)		9613419701	9613419601
	1	Base, complete, 3/2 24 VDC, one solenoid (Pos.9,10,11,12,13,14 included)		9613419702	9613419602
	1	Base, complete, 3/2 24 VDC, two solenoids (Pos.9,10,11,12,13,14 included)		9613419704	9613419604
	1	Base, complete, 3/2 24 VDC, three solenoids (Pos.9,10,11,12,13,14 included)		9613419705	9613419605
	1	Base, complete, 5/2 24 VDC, one solenoid (Pos.9,10,11,12,13,14 included)		9613419703	9613419603
9	1	Special X-ring, grey	9613456401		
10	1	Air fitting, elbow, metal plug, black rim, Ø6mm/Ø6mm (Period 1304 -)		9611995678	
	1	Air fitting, elbow, metal plug, grey rim, Ø6mm/1/4" (Period 1304 -)			9611995679
	1	Air fitting, elbow, black, black rim, Ø6mm/Ø6mm (Period -1201)		9611995673	
	1	Air fitting, elbow, 1/4"/1/4" (Period -1201)			9611995375
11	1	Blow-off valve	9612563603		
12	1	Thread plug, PG7, Ø3-Ø6.5 mm	9611993407		
13	1	Cable gland, PG11, Ø4-Ø10 mm	9611993517		
14	1	Gore vent	9611994722		
15	1	Adapter complete, (pos. 16,17,18,19 included)	9612562103		
16	1	Special X-ring, black	9612999401		
17	1	O-ring	9611993350		
18	2	Allen screw	9611993409		
19	1	Special X-ring	9612569601		
20	1	Indication pin, complete	9612562301		
	1	Indication pin, complete for Unique SSV LS and High Pressure	9614066001		
	1	Indication pin, complete incl. steel adapter for Unique SSV LS and High Pressure valve size 76.1-101.6mm/DN80-100 (Period - 1502)	9614067101		
27	1	Threaded plate, only for SRC/ARC valves	3135707012		

TD 900565/6

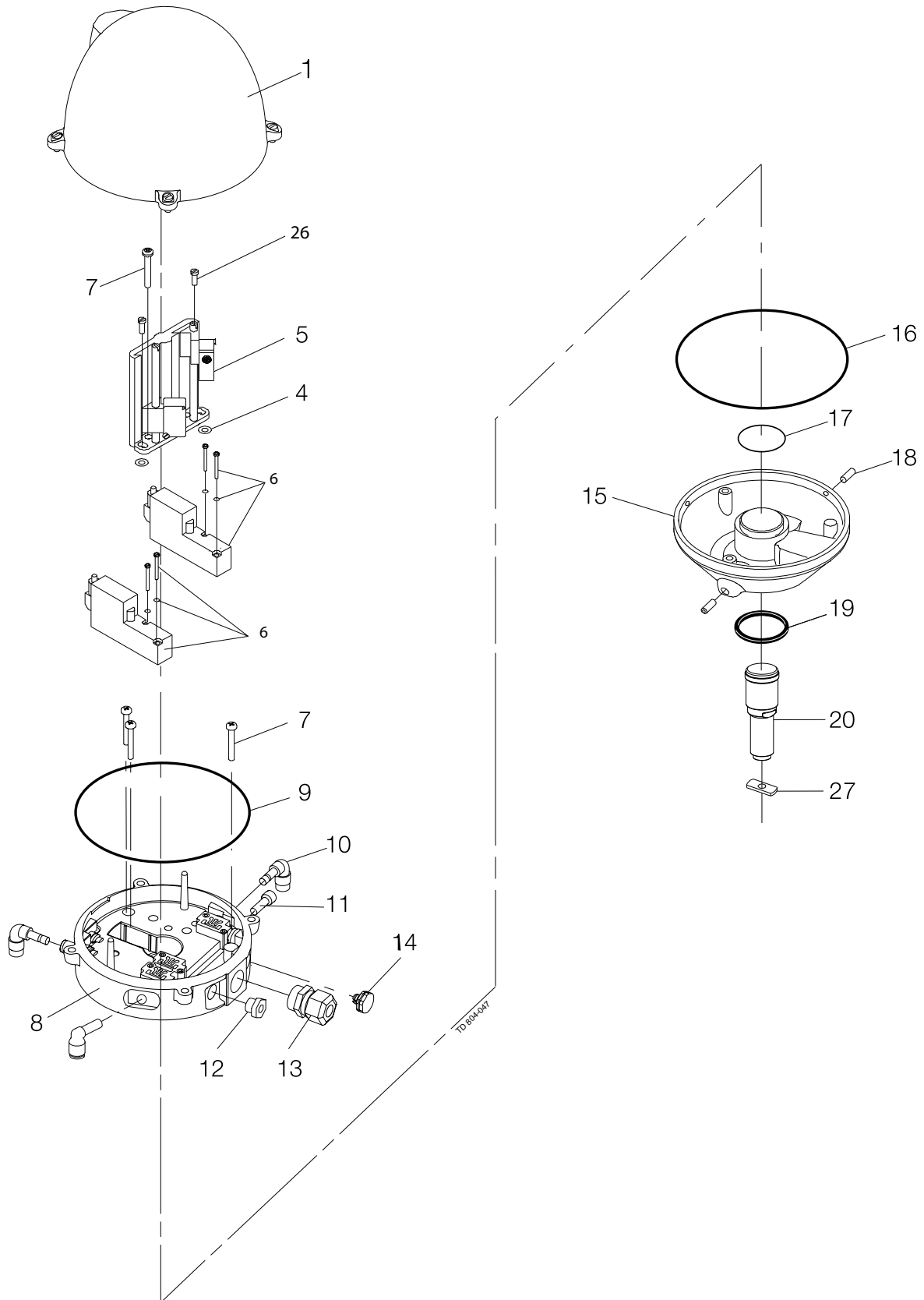
1.3



Pos	Qty	Denomination	SRC, SMP-BC, SMP-SC SF, Unique Mixproof, Unique SSV ATEX, SMP-TO, LKB (LKLA-T), Koltex MH, SBV	Ø6 mm Air connection	1/4" Air connection
1	1	Shell, complete			
4	2	Washer	9611995377		
5	1	Frame cpl. with sensors	9613469601		
6	1-2	Solenoid valve (3/2)	9611994924		
7	4	PT screw	9611993457		
8	1	Base, complete, no solenoids (Pos. 9,12,13,14 included)		9613469101	9613469001
	1	Base, complete, 3/2, one solenoid (pos.9,10,11,12,13,14 included)		9613469102	9613469002
	1	Base, complete, 3/2, two solenoids (Pos.9,10,11,12,13,14 included)		9613469108	9613469008
9	1	Special X-ring, grey	9613456401		
10	2-3	Air fitting elbow, metal plug, black rim, Ø6mm/Ø6mm (Period 1304 -)		9611995678	
	1	Air fitting elbow, metal plug, grey rim, Ø6mm/1/4" (Period 1304-)			9611995679
	1	Air fitting elbow, black, black rim, Ø6mm/Ø6mm (Period - 1201)		9611995673	
	1	Air fitting elbow, 1/4"/1/4" (Period - 1201)			9611995375
11	1	Blow-off valve	9612563603		
12	1	Thread plug, PG7 , Ø3-Ø6.5 mm	9611993407		
13	1	Cable gland, PG11 , Ø4-Ø10 mm	9611994923		
14	1	Gore vent	9611994722		
15	1	Adapter complete, (Pos. 16,17,18,19 included)	9612562104		
16	1	Special X-ring, black	9612999401		
17	1	O-ring	9611993350		
18	2	Allen screw	9611993409		
19	1	Special X-ring	9612569601		
20	1	Indication pin, complete	9613491901		
26	2	Screw	72018		
27	1	Threaded plate (accessories for the Think Top)	3135707012		

TD 900-554/5

1.3

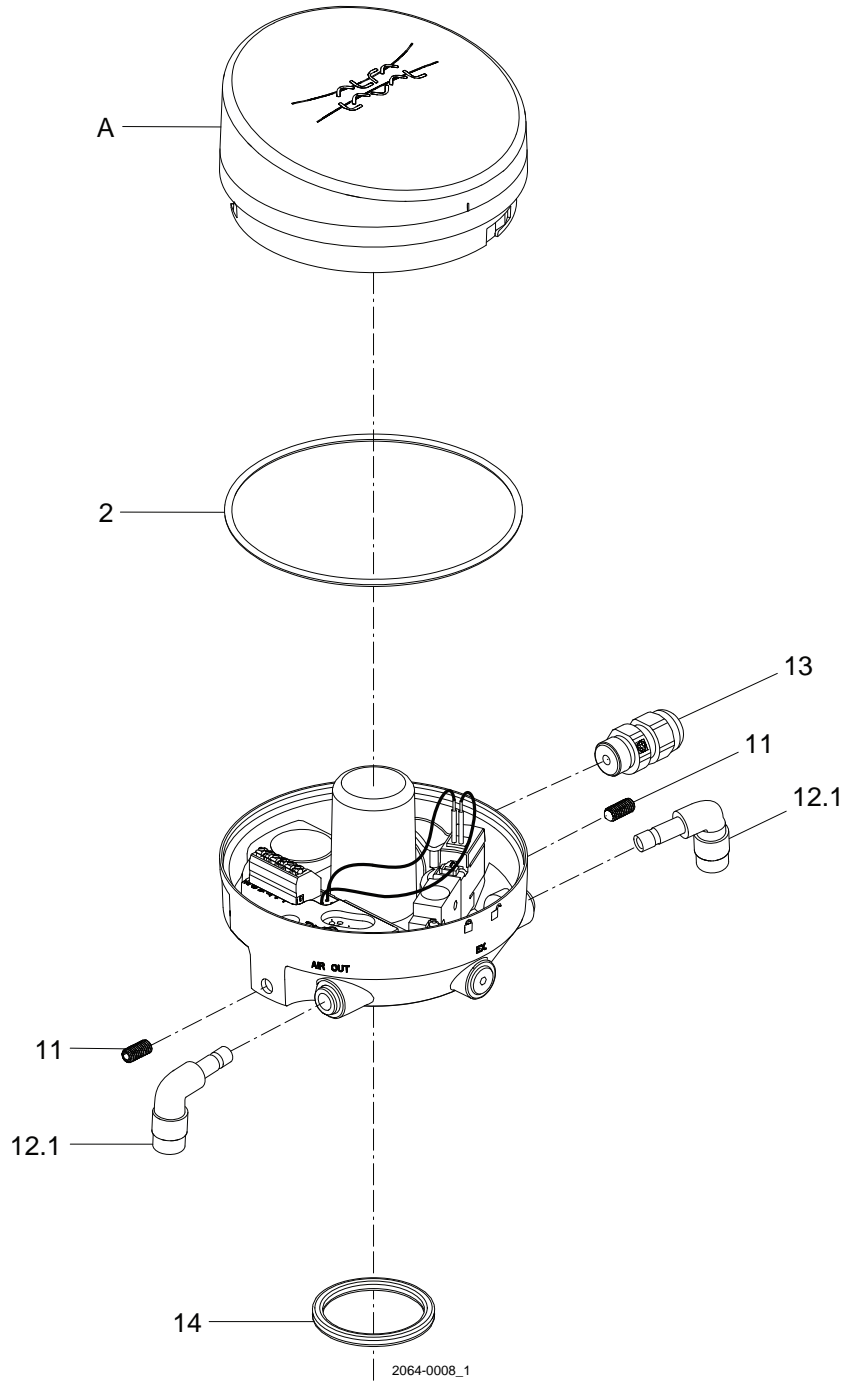


SRC, SMP-BC,
SMP-SC SF,
Unique
Mixproof,
Unique SSV
ATEX,
SMP-TO, LKB
(LKLA-T),
Koltex MH,
SBV

1.3

Pos	Qty	Denomination	
1	1	Shell, complete	
4	2	Washer	9611995377
5	1	Frame cpl. with sensors	8010018878
6	1-2	Solenoid valve (3/2)	9611994924
7	4	PT screw	9611993457
8	1	Base, complete	
9	1	Special X-ring, grey	9613456401
10	2-3	Air fitting elbow, metal plug, black rim, $\varnothing 6\text{mm}/\varnothing 6\text{mm}$	9611995678
	1	Air fitting elbow, metal plug, grey rim, $\varnothing 6\text{mm}/1/4"$	9611995679
11	1	Blow-off valve	9612563603
12	1	Thread plug, PG7, $\varnothing 3-\varnothing 6.5\text{ mm}$	9611993407
13	1	Cable gland, PG11, Ex	9611994923
14	1	Gore vent	8010020471
15	1	Adapter complete	
16	1	Special X-ring, black	9612999401
17	1	O-ring	9611993350
18	2	Allen screw	9611993409
19	1	Special X-ring	9612569601
20	1	Indication pin, complete	8010018881
26	2	Screw	72018
27	1	Threaded plate (accessories for the Think Top)	3135707012

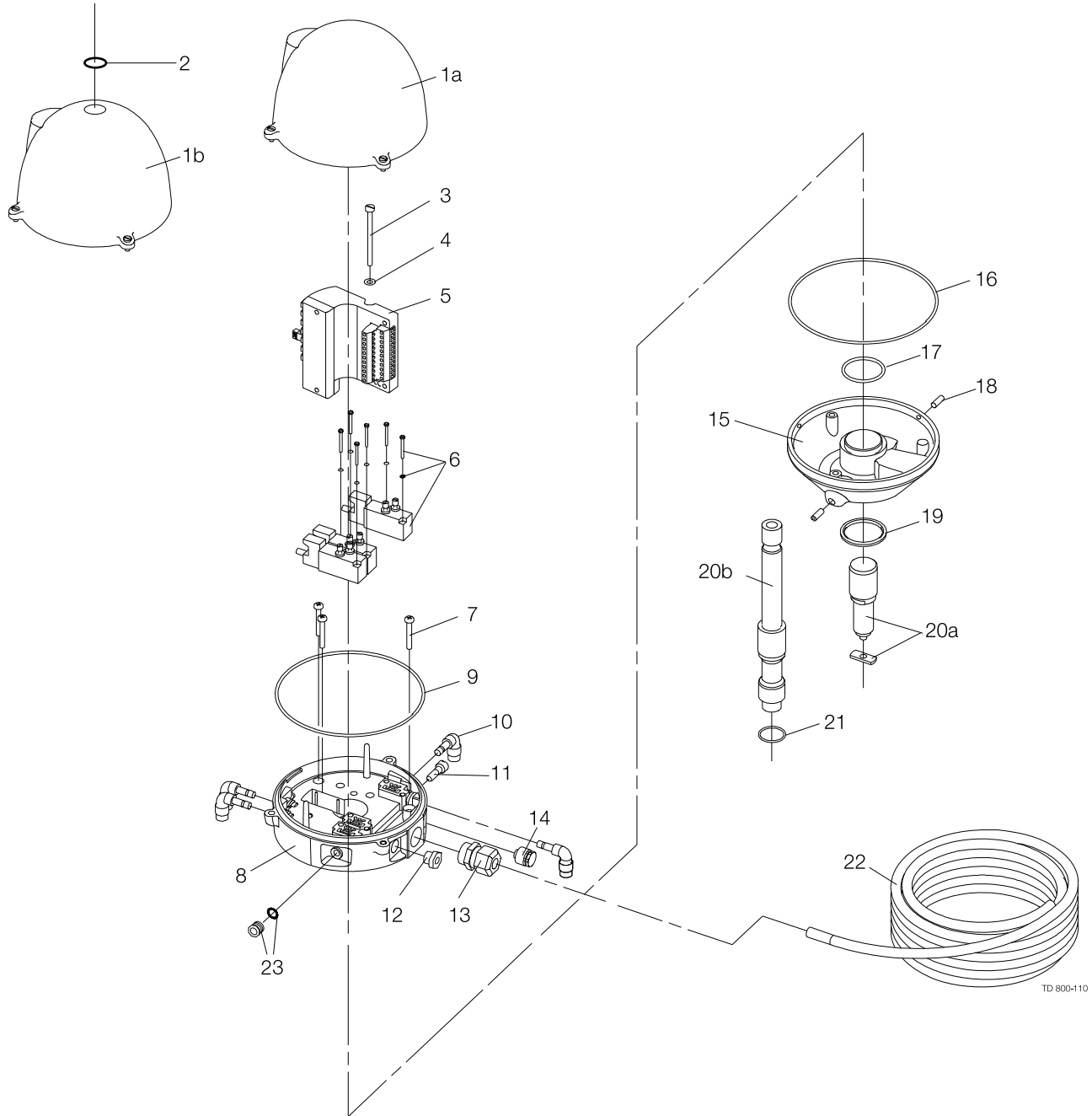
1.3



Pos	Qty	Denomination	
A		Top incl. prism and O-rings	
2	1	O-ring	9611995410
11	2	Allen screw	9611995412
12.1	1	Air fitting, $\varnothing 6\text{mm}$	9611995678
	1	Air-fitting, 1/4"	9611995679
13	1	Cable gland PG7	
14	1	X-ring	9612569601

900635/1

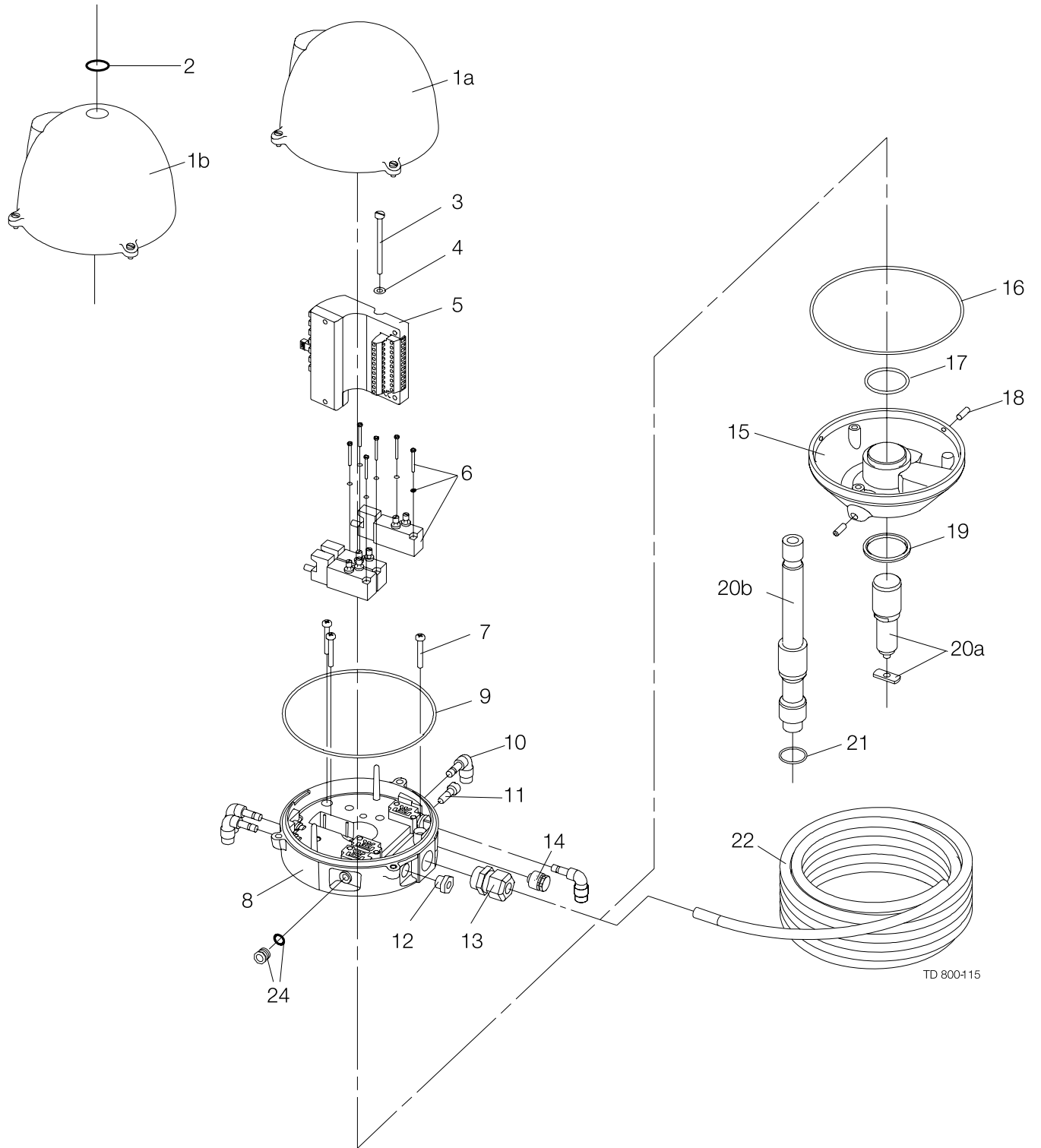
1.3



TD 800-110

Pos	Qty	Denomination	SRC, SRC-LS, ARC, SMP-BC, SMP-SC SF, Unique Mixproof, SMP-TO, LKB (LKLA-T), Koltex MH, AMP, SBV	SMP-EC	Ø6 mm Air connection	1/4" Air connection
1a	1	Shell complete	9612561601			
1b	1	Shell complete		9612561602		
2	1	O-ring, NBR		9611992129		
3	1	Screw	9611993458	9611993458		
4	1	Washer	9611993459	9611993459		
5	1	Sensor board Digital 8-30 VDC PNP/NPN	9612562701	9612562701		
6	1-3	Solenoid valve 3/2, 24 VDC	9611993324	9611993324		
	1-3	Solenoid valve 3/2, 24 VAC	9611993325	9611993325		
	1-3	Solenoid valve 3/2, 110 VAC	9611993326	9611993326		
	1	Solenoid valve 5/2, 24 VDC	9611993327	9611993327		
	1	Solenoid valve 5/2, 24 VAC	9611993328	9611993328		
	1	Solenoid valve 5/2, 110 VAC	9611993329	9611993329		
7	3	PT screw	9611993457	9611993457		
8	1	Base complete, no solenoids				
	1	Base complete, 3/2 24 VDC, one solenoid				
	1	Base complete, 3/2 24 VDC, two solenoids				
	1	Base complete, 3/2 24 VDC, three solenoids				
	1	Base complete, 5/2 24 VDC, one solenoid				
	1	Base complete, 3/2 24 VAC, one solenoid				
	1	Base complete, 3/2 24 VAC, two solenoids				
	1	Base complete, 3/2 24 VAC, three solenoids				
	1	Base complete, 5/2 24 VAC, one solenoid				
	1	Base complete, 3/2 110 VAC, one solenoid				
	1	Base complete, 3/2 110 VAC, two solenoids				
	1	Base complete, 3/2 110 VAC, three solenoids				
	1	Base complete, 5/2 110 VAC, one solenoid				
	1	Base prepared for no solenoids				
	1	Base prepared for one 3/2 port solenoid				
	1	Base prepared for two 3/2 port solenoids				
	1	Base prepared for three 3/2 port solenoids				
	1	Base prepared for one 5/2 port solenoid				
	1	Base prepared for one 5/2 and one 3/2 port solenoid				
	1	Base prepared for one 5/2 and two 3/2 port solenoids				
9	1	Special X-ring, grey	9613456401	9613456401		
10	1	Air fitting			9611993405	9611993433
11	1	Blow-off valve	9612563601	9612563601		
12	1	Thread plug, PG7 ø3-ø6.5 mm	9611993407	9611993407		
13	1	Cable gland, PG11 ø4-ø10 mm	9611993517	9611993517		
14	1	Adaptor incl. Gore vent High airflow (Period 0611-)	9613431501	9613431501		
	1	Pressure control valve, 1/8" (Period 9907-0611)				
15	1	Adapter complete (Pos. 17,18,19 included)	9612562101	9612562101		
16	1	Special X-ring, black	9612999401	9612999401		
17	1	O-ring	9611993350	9611993350		
18	2	Allen screw	9611993409	9611993409		
19	1	Special X-ring	9612569601	9612569601		
20a	1	Indication pin complete	9612562301			
	1	Indication pin complete for SRC-LS: only stop valves size 63.5-101.6mm/DN65-100	9612637001			
20b	1	Indication pin complete		9612562501		
21	1	O-ring, EPDM		22340380		
22	1	5m. flying PVC cable (12x0.5 mm2)Digital	9611993627	9611993627		
23	1	Air fitting incl. O-ring (Period 9907-0606)			(9611993404)	(9611993434)

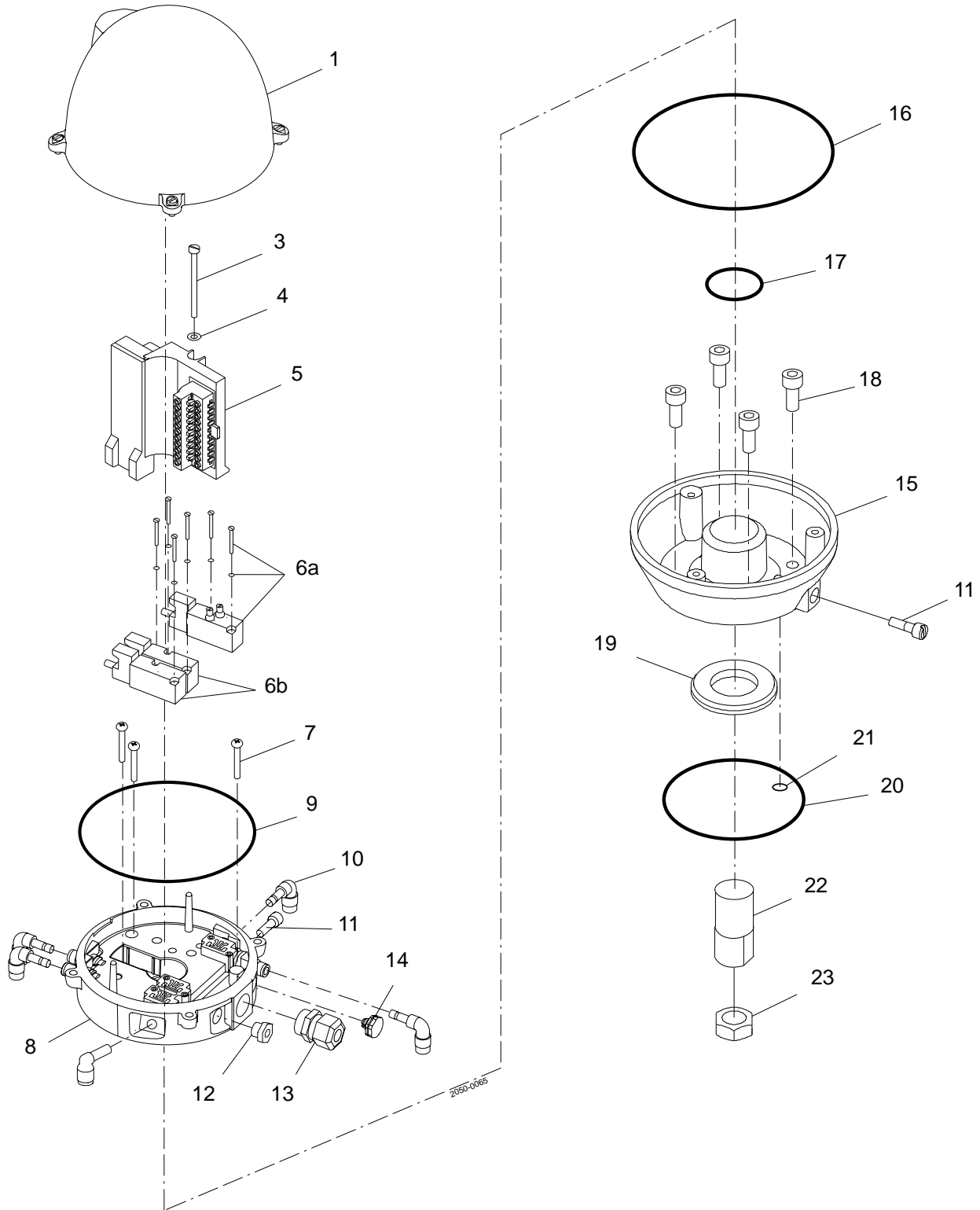
1.3



TD 8004115

Pos	Qty	Denomination	SRC, SRC-LS, ARC, SMP-BC, SMP-SC SF, Unique Mixproof, SMP-TO, LKB (LKLA-T), Koltek MH, AMP, SBV	SMP-EC	Ø6 mm Air connection	1/4" Air connection
1a	1	Shell complete	9612561601			
1b	1	Shell complete		9612561602		
2	1	O-ring, NBR		9611992129		
3	1	Screw	9611993458	9611993458		
4	1	Washer	9611993459	9611993459		
5	1	Sensor board DeviceNet 11-25 VDC	9612562704	9612562704		
6	1-3	Solenoid valve 3/2, 8 VDC	9611993748	9611993748		
	1	Solenoid valve 5/2, 8 VDC	9611993749	9611993749		
7	3	PT screw	9611993457	9611993457		
8	1	Base complete, no solenoids				
	1	Base complete, 3/2 8 VDC, one solenoid				
	1	Base complete, 3/2 8 VDC, two solenoids				
	1	Base complete, 3/2, 8 VDC, three solenoids				
	1	Base complete, 5/2 8 VDC, one solenoid				
	1	Base prepared for no solenoids			9612562001	9612576101
	1	Base prepared for one 3/2 port solenoid				
	1	Base prepared for two 3/2 port solenoids				
	1	Base prepared for three 3/2 port solenoids				
	1	Base prepared for one 5/2 port solenoid				
	1	Base prepared for one 5/2 and one 3/2 port solenoid				
	1	Base prepared for one 5/2 and two 3/2 port solenoids				
9	1	Special X-ring, grey	9613456401	9613456401		
10	1	Air fitting			9611993405	9611993433
11	1	Blow-off valve	9612563601	9612563601		
12	1	Thread plug, PG7 ø3-ø6.5 mm	9611993407	9611993407		
13	1	Cable gland, PG11 ø4-ø10 mm	9611993517	9611993517		
14	1	Adaptor incl. Gore vent High airflow (Period 0611-)	9613431501	9613431501		
15	1	Adapter complete (Pos. 17,18,19 included)	9612562101	9612562101		
16	1	Special X-ring, black	9612999401	9612999401		
17	1	O-ring	9611993350	9611993350		
18	2	Allen screw	9611993409	9611993409		
19	1	Special X-ring	9612569601	9612569601		
20a	1	Indication pin complete	9612562301			
	1	Indication pin complete for SRC-LS: only stop valves size 63.5-101.6mm/DN65-100	9612637001			
20b	1	Indication pin complete		9612562501		
21	1	O-ring, EPDM		22340380		
24	1	Air fitting incl. O-ring (Period 9907-0606)			(9611993404)	(9611993434)

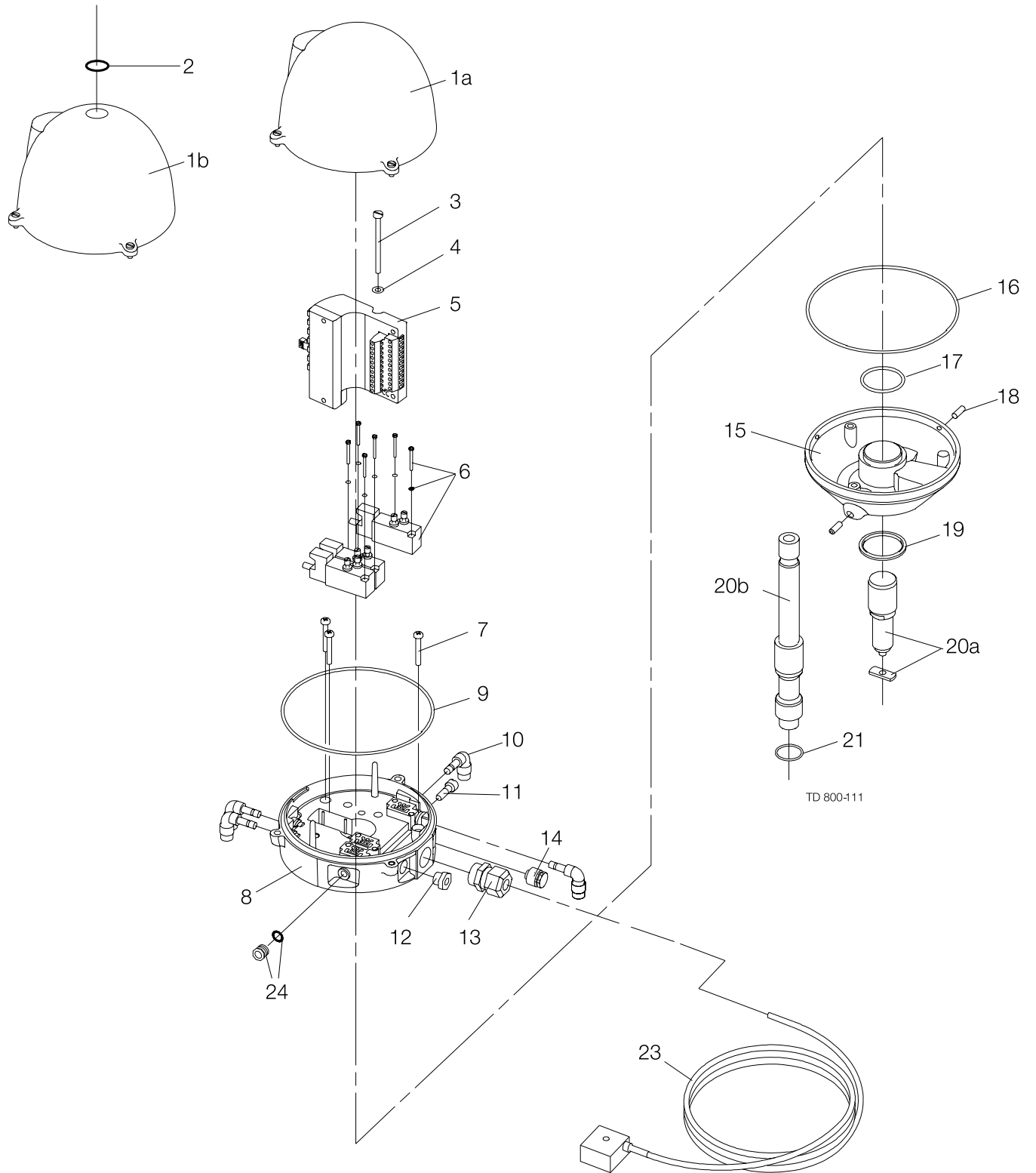
1.3



Pos	Qty	Denomination	1/4" Air connection
1	1	Shell complete	9613427901
3	1	Screw	9611993458
4	1	Washer	9611993459
5	1	Sensor board DeviceNet 11-25 VDC, (Period 1206-)	9613443404
	1	Sensor board DeviceNet 11-25 VDC, (Period -1206)	9612562704
6	1-3	Solenoid valve, 3/2, 8 VDC	9611993748
	1	Solenoid valve, 5/2, 8 VDC	9611993749
7	3	PT screw	9611993457
8	1	Base, complete, no solenoids (Pos.9,12,13,14 included)	9613428201
	1	Base, complete, 3/2 8 VDC, one solenoid (Pos. 9,10,11,12,13,14 included)	9613428216
	1	Base, complete, 3/2 8 VDC, two solenoids (Pos. 9,10,11,12,13,14 included)	9613428217
	1	Base, complete, 3/2, 8 VDC, three solenoids (Pos. 9,10,11,12,13,14 included)	9613428218
	1	Base, complete, 5/2 8 VDC, one solenoid (Pos. 9,10,11,12,13,14 included)	9613428219
9	1	Special X-ring, grey	9613456401
10	1	Air fitting elbow, metal plug with grey rim, ø6mm/1/4" (Period 1304 -)	9611995679
	1	Air fitting elbow, 1/4"/1/4" (Period - 1201)	9611995375
11	2	Blow-off valve	9612563601
12	1	Thread plug, PG7 ø3-ø6.5 mm	9611993407
13	1	Cable gland, PG11 ø4-ø10 mm	9611993517
14	1	Gore vent high airflow	9611994722
15	1	Adapter complete (pos. 11, 16, 17 included)	9612635802
16	1	Special X-ring, black	9612999401
17	1	O-ring	9611993350
18	4	Screw	9611993763
19	1	Retainer	9611994203
20	1	O-ring	9611993689
21	1	O-ring	9611993690
22	1	Indicator pin	9612635702
23	1	Nut	9611993764

TD 900-392/6

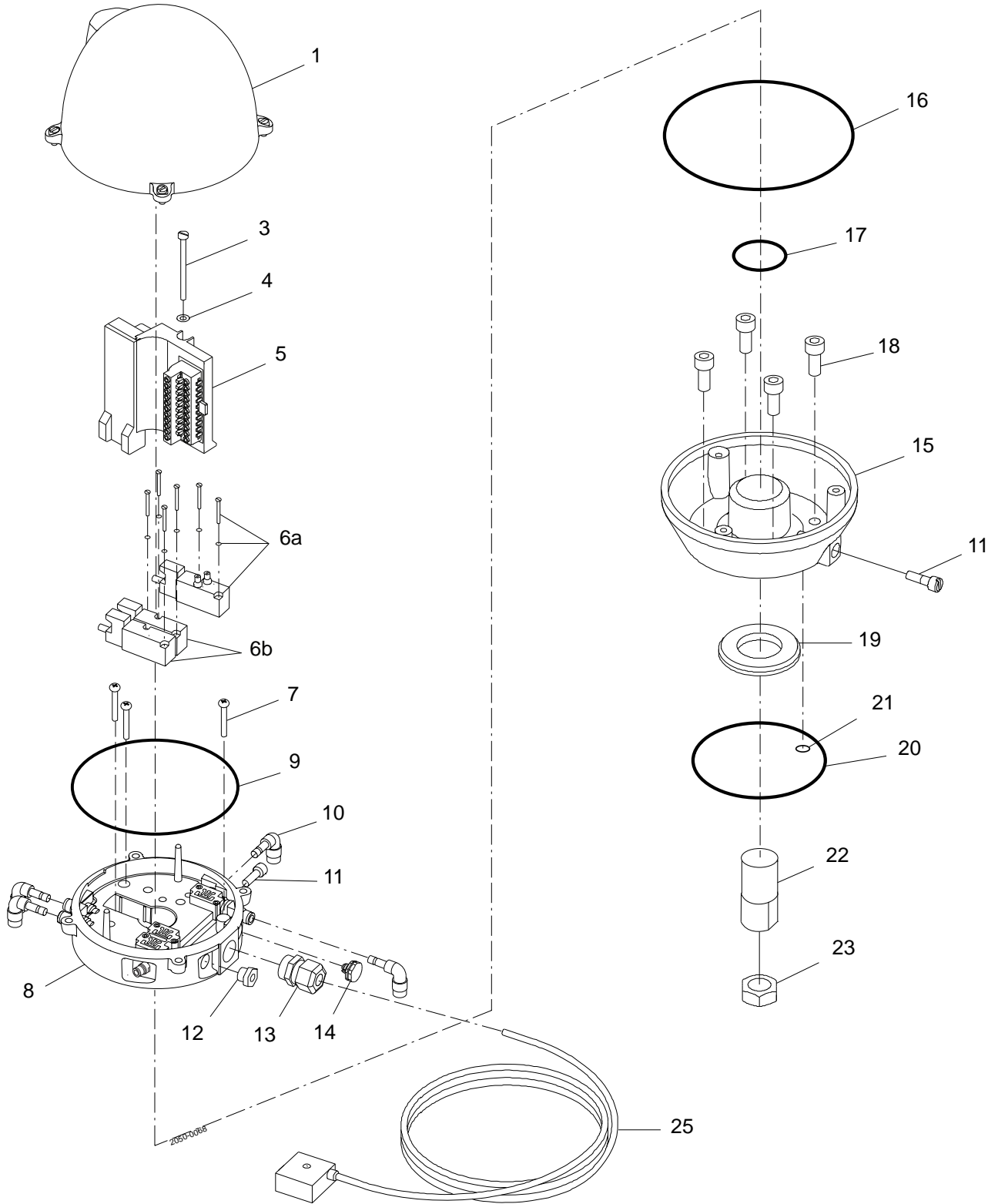
1.3



TD 800-111

Pos	Qty	Denomination	SRC, SRC-LS, ARC, SMP-BC, SMP-SC SF, Unique Mixproof, SMP-TO, LKB (LKLA-T), Koltex MH, AMP, SBV	SMP-EC	Ø6 mm Air connection	1/4" Air connection
1a	1	Shell complete	9612561601			
1b	1	Shell complete		9612561602		
2	1	O-ring, NBR		9611992129		
3	1	Screw	9611993458	9611993458		
4	1	Washer	9611993459	9611993459		
5	1	Sensor board AS-Interface 29.5-31.6 VDC	9612562703	9612562703		
6	1-3	Solenoid valve 3/2, 24 VDC	9611993324	9611993324		
	1	Solenoid valve 5/2, 24 VDC	9611993327	9611993327		
7	3	PT screw	9611993457	9611993457		
8	1	Base complete, no solenoids				
	1	Base complete, 3/2 24 VDC, one solenoid				
	1	Base complete, 3/2 24 VDC, two solenoids				
	1	Base complete, 3/2 24 VDC, three solenoids				
	1	Base complete, 5/2 24 VDC, one solenoid				
	1	Base prepared for no solenoids				
	1	Base prepared for one 3/2 port solenoid				
	1	Base prepared for two 3/2 port solenoids				
	1	Base prepared for three 3/2 port solenoids				
	1	Base prepared for one 5/2 port solenoid				
	1	Base prepared for one 5/2 and one 3/2 port solenoid				
	1	Base prepared for one 5/2 and two 3/2 port solenoids				
9	1	Special X-ring, grey	9613456401	9613456401		
10	1	Air fitting	9611993405	9611993433		
11	1	Blow-off valve	9612563601	9612563601		
12	1	Thread plug, PG7 Ø3-Ø6.5 mm	9611993407	9611993407		
13	1	Cable gland, PG11 Ø4-Ø10 mm	9611993517	9611993517		
14	1	Adaptor incl. Gore vent High airflow (Period 0611-)	9613431501	9613431501		
	1	Pressure control valve, 1/8" (Period 9907-0611)				
15	1	Adapter complete (Pos. 17,18,19 included)	9612562101	9612562101		
16	1	Special X-ring, black	9612999401	9612999401		
17	1	O-ring	9611993350	9611993350		
18	2	Allen screw	9611993409	9611993409		
19	1	Special X-ring	9612569601	9612569601		
20a	1	Indication pin complete	9612562301			
	1	Indication pin complete for SRC-LS: only stop valves size 63.5-101.6mm/DN65-100	9612637001			
20b	1	Indication pin complete		9612562501		
21	1	O-ring, EPDM		22340380		
23	1	2 m ASI Drop Cable (2x0.5mm ²)	9611993518	9611993518		
24	1	Air fitting incl. O-ring (Period 9907-0606)			(9611993404)	(9611993434)

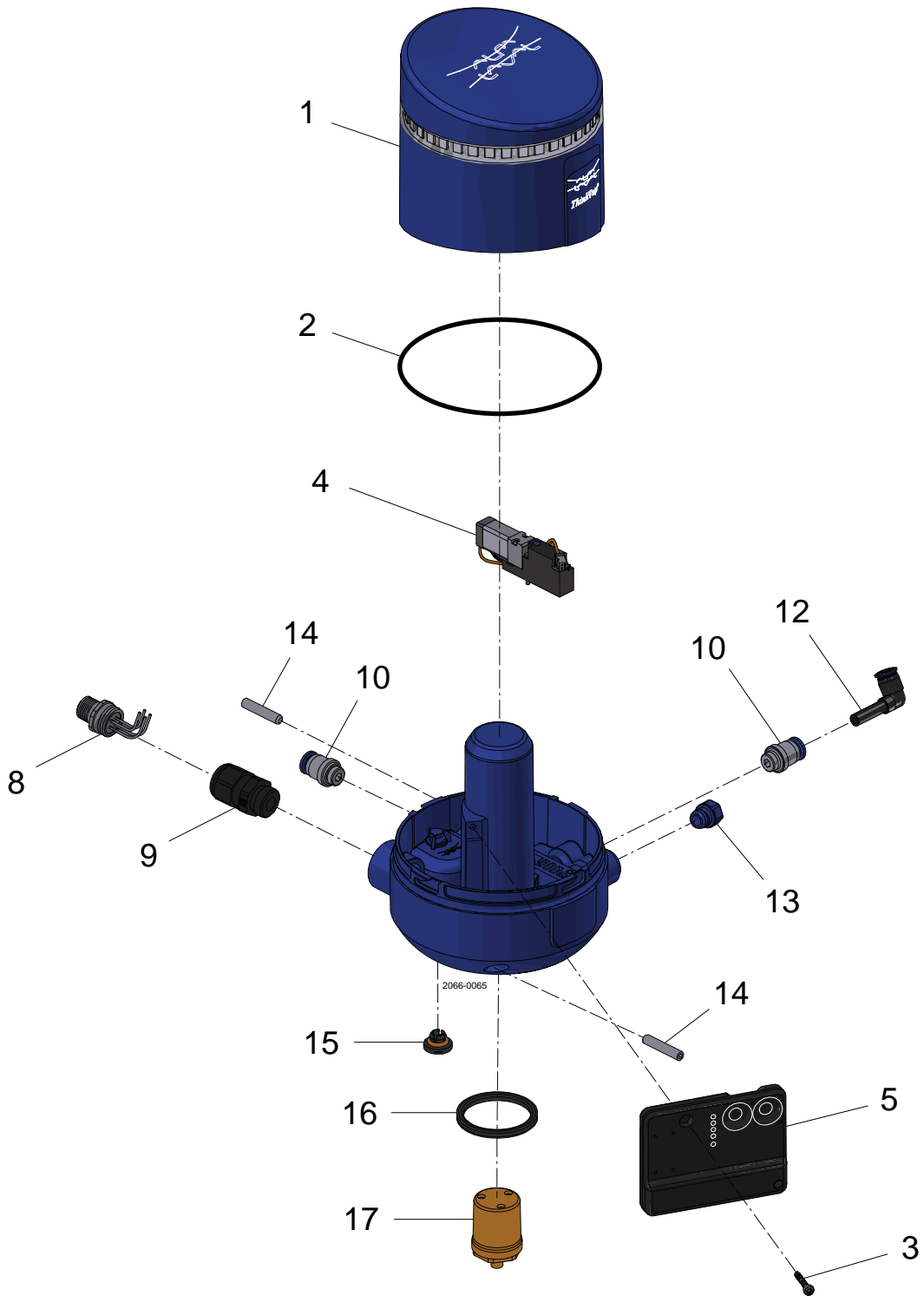
1.3



Pos	Qty	Denomination	1/4" Air connection
1	1	Shell complete	9613427901
3	1	Screw	9611993458
4	1	Washer	9611993459
5	1	Sensor board, AS-Interface v.2.11 (31 node) (Period 0902-)	9613443402
	1	Sensor board, AS-Interface v. 3.0 (62 node) (Period 0902-)	9613443403
	1	Sensor board, AS-Interface 29.5-31.6 VDC (Period -0902)	9612562703
6a	1-3	Solenoid valve 3/2, 24 VDC	9611993324
6b	1	Solenoid valve 5/2, 24 VDC	9611993327
7	3	PT screw	9611993457
8	1	Base, complete, no solenoids (Pos.9,12,13,14 included)	9613428201
	1	Base, complete, 3/2 24 VDC, one solenoid (Pos.9,10,11,12,13,14 included)	9613428202
	1	Base, complete, 3/2 24 VDC, two solenoids (Pos.9,10,11,12,13,14 included)	9613428208
	1	Base, complete, 3/2 24 VDC, three solenoids (Pos.9,10,11,12,13,14 included)	9613428211
	1	Base, complete, 5/2 24 VDC, one solenoid (Pos.9,10,11,12,13,14 included)	9613428203
9	1	Special X-ring, grey	9613456401
10	1	Air fitting, metal plug, grey rim, $\varnothing 6\text{mm}/1/4"$ (Period 1304-)	9611995679
	1	Air fitting, elbow, $1/4"/1/4"$ (Period - 1201)	9611995375
11	2	Blow-off valve	9612563601
12	1	Thread plug, PG7 $\varnothing 3-\varnothing 6.5$ mm	9611993407
13	1	Cable gland, PG11 $\varnothing 4-\varnothing 10$ mm	9611993517
14	1	Gore vent	9611994722
15	1	Adapter complete, (Pos. 11, 16, 17 included)	9612635802
16	1	Special X-ring, black	9612999401
17	1	O-ring	9611993350
18	4	Screw	9611993763
19	1	Retainer	9611994203
20	1	O-ring	9611993689
21	1	O-ring	9611993690
22	1	Indicator pin	9612635702
23	1	Nut	9611993764
25	1	2 m ASI drop cable, (2 x 0.5 mm ²) with flat cable connector	9611993518

TD 900-393/6

1.3

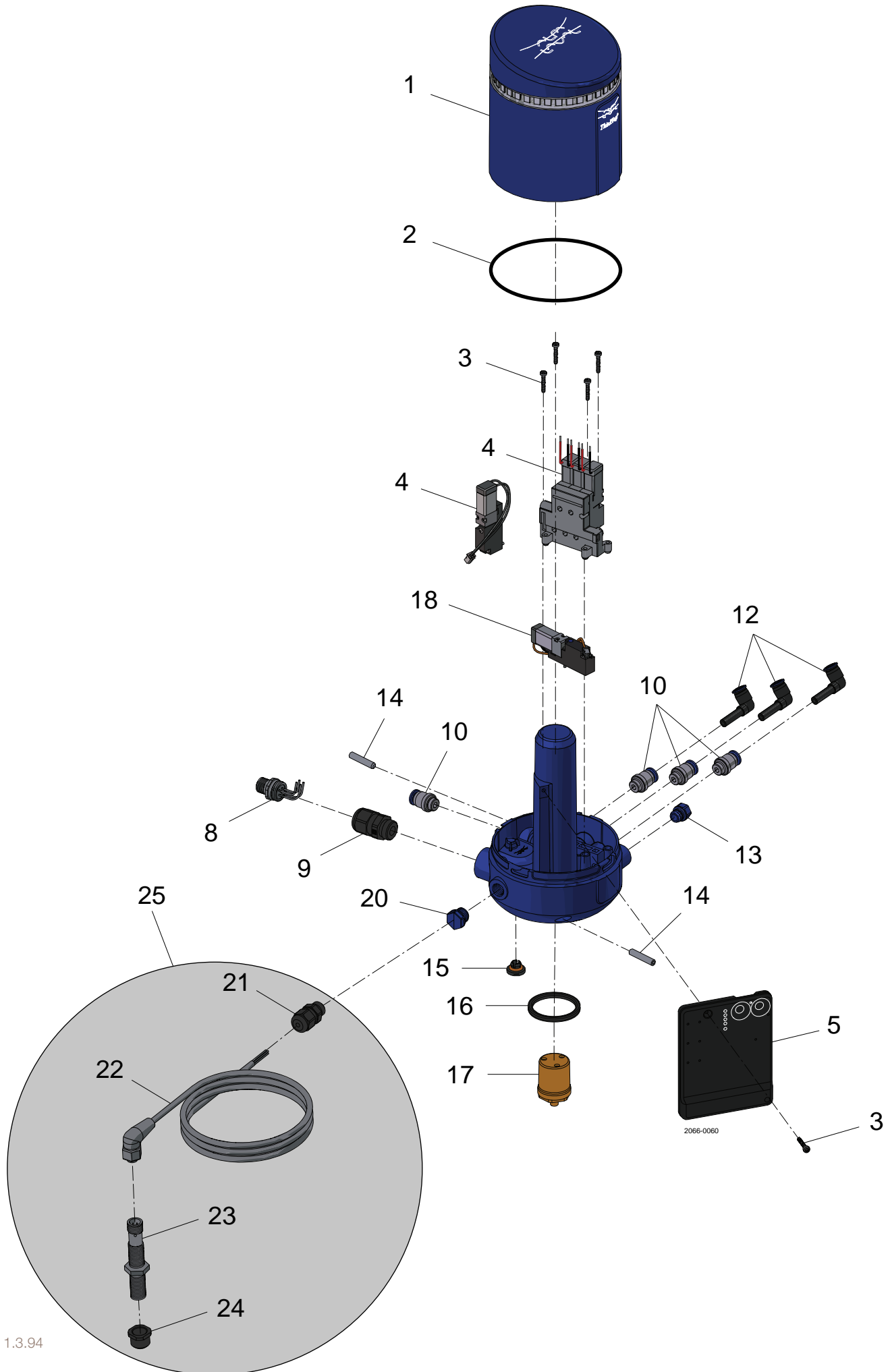


Pos	Qty	Denomination	
50 Series			
1	1	Cover	9615376201
2	1	V-ring	9615451401
3	1	Screw, Torx 10	9611996072
4	1	Solenoid valve 1x3/2	9615395701
5	1	Control board, 24V Digital	9615394901
	1	Control board, AS-I 2.11 (31 node)	9615395001
	1	Control board, AS-I 3.0 (62 node)	9615395101
	1	Control board, IO-Link	9615395201
8	1	M12 plug, AS-I, 4 pins/2 wires, Hex 17	Please see note
	1	M12 plug, IO-Link, 4 pins/3 wires, Hex 17	Please see note
	1	M12 plug, DIO, 8 pins/6 wires, Hex 17	Please see note
9	1	Cable gland, Main entry, Ø4-10mm, Hex 19	Please see note
9.1	1	Cable gland, Main entry, AS-I, Ø3,5-7mm, Hex 19	Please see note
10	2	Air fitting, straight, Ø6mm, Hex 4	Please see note
	2	Air fitting, straight, 1/4", Hex 5	Please see note
12	1	Air fitting, elbow, Ø6mm	Please see note
	1	Air fitting, elbow, 1/4"	Please see note
13	1	Exhaust plug, Hex 12	9615389001
14	2	Set screw, Hex 2,5	9611996070
15	1	Gore vent	9611996065
16	1	X-ring	9612569601
17	1	Sensor target	9615397601

1.3

NOTE: Further information can be found in the product catalogue "Close at Hand", under accessories.

(900729/2)



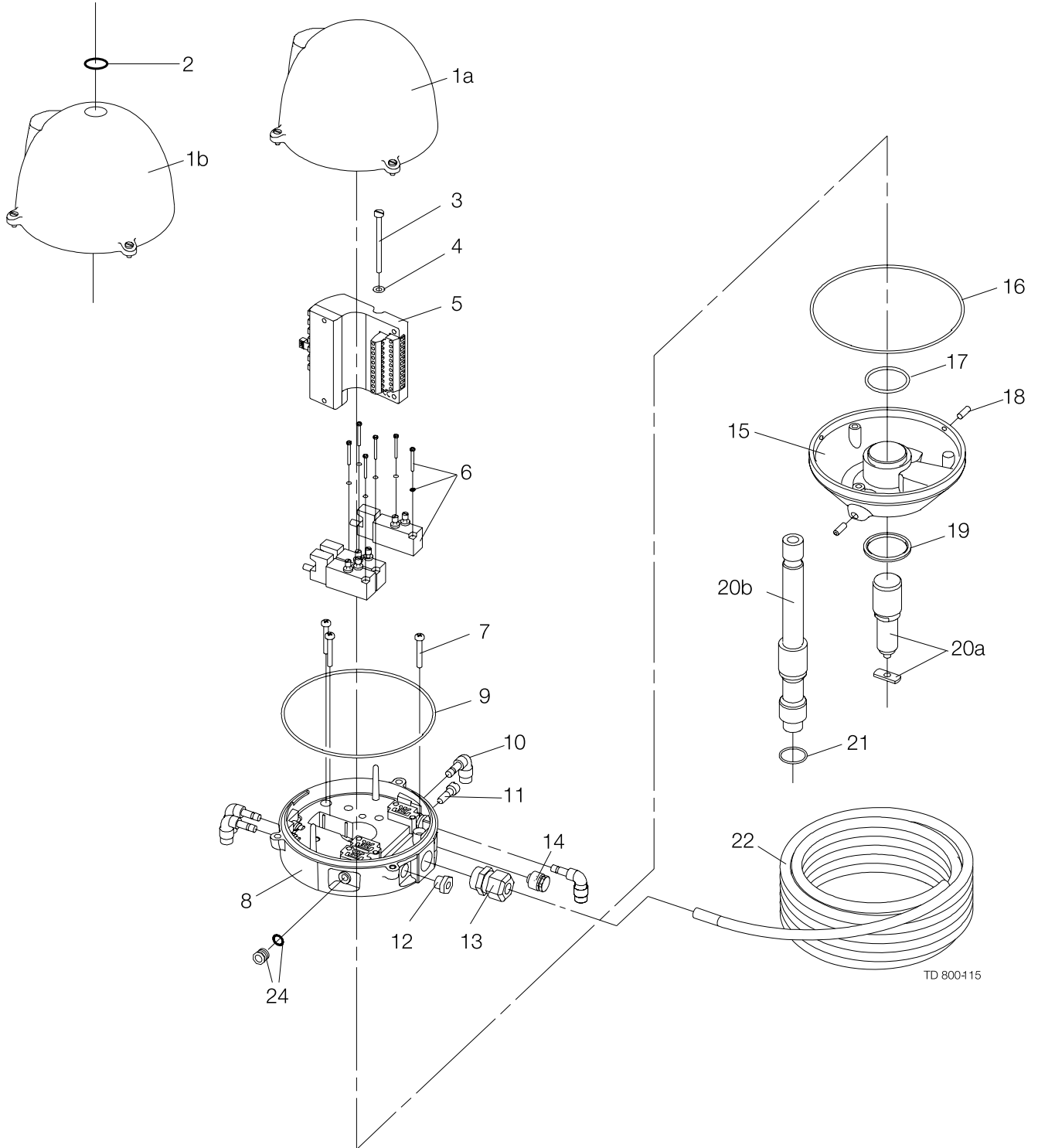
Pos	Qty	Denomination	
70 Series			
1	1	Cover	9615376401
2	1	V-ring	9615451401
3	5	Screw, Torx 10	9611996072
4	1	Manifold assembly complete, 3x3/2	9615395301
	1	Manifold assembly complete, 2x3/2	9615395401
	1	Manifold assembly complete, 1x3/2	9615395501
	1	Solenoid valve, 1x3/2	9615395701
5	1	Control board, 24V Digital	9615394501
	1	Control board, AS-I 2.11 (31 node)	9615394601
	1	Control board, AS-I 3.0 (62 node)	9615394701
	1	Control board, IO-Link	9615394801
8		M12 plug, AS-I, 4 pins/2 wires, Hex 17	Please see note
		M12 plug, IO-Link, 4 pins/3 wires, Hex 17	Please see note
		M12 plug, DIO, 8 pins/8 wires, Hex 17 (- Feb.2020)	Please see note
		M12 plug, DIO, 12 pins/10 wires, Hex 17 (Feb.2020 -)	Please see note
9	1	Cable gland, Main entry, Ø4-10mm, Hex 19	Please see note
9.1	1	Cable gland, Main entry, AS-I, Ø3,5-7mm, Hex 19	Please see note
10	4	Air fitting, straight, Ø6mm, Hex 4	Please see note
	4	Air fitting, straight, 1/4", Hex 5	Please see note
12	3	Air fitting, elbow, Ø6mm	Please see note
	3	Air fitting, elbow, 1/4"	Please see note
13	1	Exhaust plug, Hex 12	9615389001
14	2	Set screw, Hex 2,5	9611996070
15	1	Gore vent	9611996065
16	1	X-ring	9612569601
17	1	Sensor target	9615397601
18	1	Manifold assembly complete, 1x5/2	9615395601
20	1	Blind plug, M12x1,5, Hex 14	9615388901
21	1	Cable gland, seat lift sensor, M12x1,5	Please see note
22	1	Cable for seat lift sensor	Please see note
23	1	Seat lift sensor	Please see note
24	1	Bushing	9614257508
25	1	Seat lift sensor kit, Pos. 21, 22, 23 and 24	Please see note

NOTE: Further information can be found in the product catalogue "Close at Hand", under accosseries.

(900730/3)

Not manufactured anymore

1.3

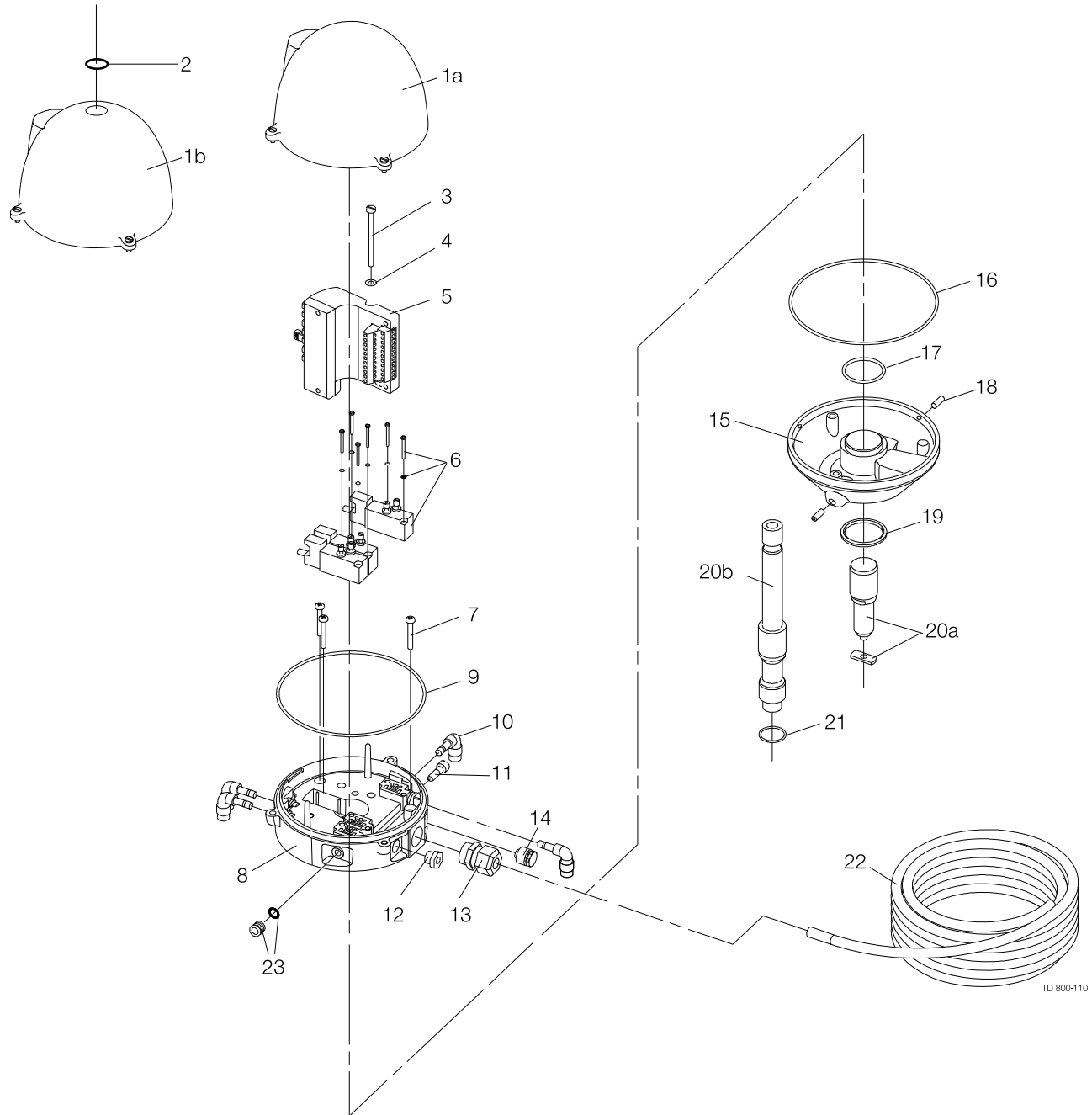


TD 800-115

Pos	Qty	Denomination	SRC, SRC-LS, ARC, SMP-BC, SMP-SC SF, Unique Mixproof, SMP-TO, LKB (LKLA-T), Koltex MH, AMP, SBV	SMP-EC	Ø6 mm Air connection	1/4" Air connection
1a	1	Shell complete	9612561601			
1b	1	Shell complete		9612561602		
2	1	O-ring, NBR		9611992129		
3	1	Screw	9611993458	9611993458		
4	1	Washer	9611993459	9611993459		
5	1	Sensor board Digital 8-30 VAC NO/NC	9612562702	9612562702		
6	1-3	Solenoid valve 3/2, 24 VDC	9611993324	9611993324		
	1-3	Solenoid valve 3/2, 24 VAC	9611993325	9611993325		
	1-3	Solenoid valve 3/2, 110 VAC	9611993326	9611993326		
	1	Solenoid valve 5/2, 24 VDC	9611993327	9611993327		
	1	Solenoid valve 5/2, 24 VAC	9611993328	9611993328		
	1	Solenoid valve 5/2, 110 VAC	9611993329	9611993329		
7	3	PT screw	9611993457	9611993457		
8	1	Base complete, no solenoids				
	1	Base complete, 3/2 24 VDC, one solenoids				
	1	Base complete, 3/2 24 VDC, two solenoids				
	1	Base complete, 3/2 24 VDC, three solenoids				
	1	Base complete, 5/2 24 VDC, one solenoid				
	1	Base complete, 3/2 24 VAC, one solenoids				
	1	Base complete, 3/2 24 VAC, two solenoids				
	1	Base complete, 3/2 24 VAC, three solenoids				
	1	Base complete, 5/2 24 VAC, one solenoid				
	1	Base complete, 3/2 110 VAC, one solenoid				
	1	Base complete, 3/2 110 VAC, two solenoids				
	1	Base complete, 3/2 110 VAC, three solenoids				
	1	Base complete, 5/2 110 VAC, one solenoid				
	1	Base prepared for no solenoids				
	1	Base prepared for one 3/2 port solenoid				
	1	Base prepared for two 3/2 port solenoids				
	1	Base prepared for three 3/2 port solenoids				
	1	Base prepared for one 5/2 port solenoid				
	1	Base prepared for one 5/2 and one 3/2 port solenoid				
	1	Base prepared for one 5/2 and two 3/2 port solenoids				
9	1	Special X-ring, grey	9613456401	9613456401		
10	1	Air fitting			9611993405	9611993433
11	1	Blow-off valve	9612563601	9612563601		
12	1	Thread plug, PG7 Ø3-Ø6.5 mm	9611993407	9611993407		
13	1	Cable gland, PG11 Ø4-Ø10 mm	9611993517	9611993517		
14	1	Adaptor incl. Gore vent High airflow (Period 0611-)	9613431501	9613431501		
	1	Pressure control valve, 1/8" (Period 9907-0611)				
15	1	Adapter complete (Pos. 17,18,19 included)	9612562101	9612562101		
16	1	Special X-ring, black	9612999401	9612999401		
17	1	O-ring	9611993350	9611993350		
18	2	Allen screw	9611993409	9611993409		
19	1	Special X-ring	9612569601	9612569601		
20a	1	Indication pin complete	9612562301			
	1	Indication pin complete for SRC-LS: only stop valves size 63.5-101.6mm/DN65-100	9612637001			
20b	1	Indication pin complete		9612562501		
21	1	O-ring, EPDM		22340380		
22	1	5m. flying PVC cable (12x0.5 mm2)Digital	9611993627	9611993627		
24	1	Air fitting incl. O-ring (Period 9907-0606)			(9611993404)	(9611993434)

Not manufactured anymore

1.3

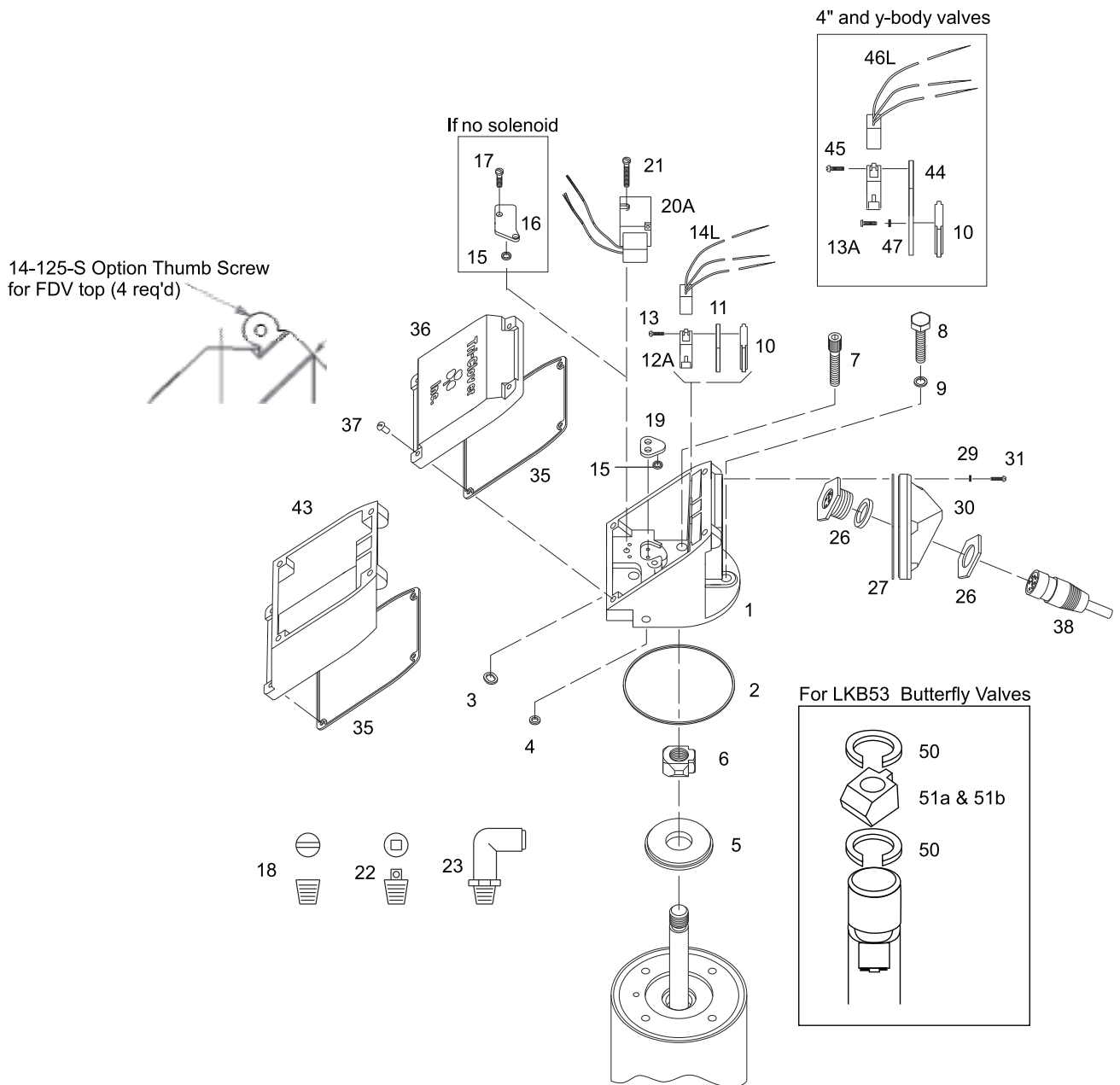


TD 800-110

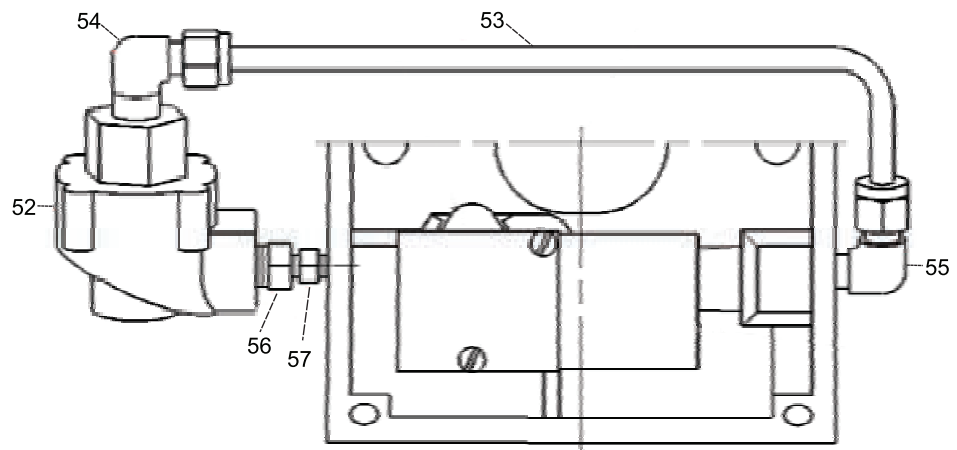
Pos	Qty	Denomination	SRC, SRC-LS, ARC, SMP-BC, SMP-SC SF, Unique Mixproof, SMP-TO, LKB (LKLA-T), Koltex MH, AMP, SBV	SMP-EC	Ø6 mm Air connection	1/4" Air connection
1a	1	Shell complete	9612561601			
1b	1	Shell complete		9612561602		
2	1	O-ring, NBR		9611992129		
3	1	Screw	9611993458			
4	1	Washer	9611993459	9611993459		
5	1	Sensor board Digital 110 VAC NO/NC				
6	1-3	Solenoid valve 3/2, 24 VDC	9611993324	9611993324		
	1	Solenoid valve 5/2, 24 VDC	9611993327	9611993327		
7	3	PT screw	9611993457	9611993457		
8	1	Base complete, no solenoids (Pos.9,12,13,14 included)				
	1	Base complete, 3/2 24 VDC, one solenoids (Pos.9,10,11,12,13,14 included)				
	1	Base complete, 3/2 24 VDC, two solenoids (Pos.9,10,11,12,13,14 included)				
	1	Base complete, 3/2 24 VDC, three solenoids (Pos.9,10,11,12,13,14 included)				
	1	Base complete, 5/2 24 VDC, one solenoid (Pos.9,10,11,12,13,14 included)				
	1	Base complete, 3/2 24 VAC, one solenoids (Pos.9,10,11,12,13,14 included)				
	1	Base complete, 3/2 24 VAC, two solenoids (Pos.9,10,11,12,13,14 included)				
	1	Base complete, 3/2 24 VAC, three solenoids (Pos.9,10,11,12,13,14 included)				
	1	Base complete, 5/2 24 VAC, one solenoid (Pos.9,10,11,12,13,14 included)				
	1	Base complete, 3/2 110 VAC, one solenoid (Pos.9,10,11,12,13,14 included)				
	1	Base complete, 3/2 110 VAC, two solenoids (Pos.9,10,11,12,13,14 included)				
	1	Base complete, 3/2 110 VAC, three solenoids (Pos.9,10,11,12,13,14 included)				
	1	Base complete, 5/2 110 VAC, one solenoid (Pos.9,10,11,12,13,14 included)				
	1	Base prepared for no solenoids				
	1	Base prepared for two 3/2 port solenoids				
	1	Base prepared for three 3/2 port solenoids				
	1	Base prepared for one 5/2 port solenoid				
	1	Base prepared for one 5/2 and one 3/2 port solenoid				
	1	Base prepared for one 5/2 and two 3/2 port solenoids				
9	1	Special X-ring, grey	9613456401	9613456401		
10	1	Air fitting			9611993405	9611993433
11	1	Blow-off valve	9612563601	9612563601		
12	1	Thread plug, PG7 ø3-ø6.5 mm	9611993407	9611993407		
13	1	Cable gland, PG11 ø4-ø10 mm	9611993517	9611993517		
14	1	Adaptor incl. Gore vent High airflow (Period 0611-)	9613431501	9613431501		
	1	Pressure control valve, 1/8" (Period 9907-0611)		9611992928	9611992928	
15	1	Adapter complete (Pos. 17,18,19 included)	9612562101	9612562101		
16	1	Special X-ring, black	9612999401	9612999401		
17	1	O-ring	9611993350	9611993350		
18	2	Allen screw	9611993409	9611993409		
19	1	Special X-ring	9612569601	9612569601		
20a	1	Indication pin complete	9612562301			
20b	1	Indication pin complete		9612562501		
21	1	O-ring, EPDM		22340380		
22	1	5m. flying PVC cable (12x0.5 mm2)Digital	9611993627	9611993627		
23	1	Air fitting incl. O-ring (Period 9907-0606)			(9611993404)	(9611993434)

Not manufactured anymore

1.3



Quick Exhaust used on 74-115 Green Top for FDV (Flow Diversion Valve)



Pos	Qty	Denomination	
1	1	Base	751281
2	1	O-ring	755472
3	1	O-ring	755388
4	1	O-ring	755422
5	1	Packing retainer	751659
6	1	Stem guide (limit switch)	763740
6a	1	Stem guide (proximity switch)	761620
7	3	Screw	180352
8	1	Screw	180701
9	1	Lockwasher	189962
10*		Mounting block (quantity: 1 or 2)	763724
11*		Spacer block (quantity: 1 or 2)	763725
12a		Micro switch (quantity: 1 or 2)	768263
12c		Proximity switch (w/o harness) (quantity: 1 or 2)	761360
13		Screw (quantity: 2 or 4)	180489
13a	3	Screw (4" only)	180183
14l		Left wire harness (quantity: 1 or 2)	761895
14r		Right wire harness (quantity: 1 or 2)	761903
15		O-ring (quantity: 3 or 4)	751540
16	1	Stop block (w/o solenoid)	763723
17	2	Screw (w/o solenoid)	180277
18		Plug (quantity: 1, 2 or 3)	751541
19	1	Selector block (w/solenoid)	763722
20a	1	24VDC solenoid	762168
20b	1	110 VAC solenoid	762169
20c	1	24 VAC solenoid	762269
21	2	Screw (w/solenoid)	180675
22	1	Vent plug	181256
23	1	Poly.Flo elbow	766009
24	1	Poly-Flo (N/C valve)	765006
26	1	Electrical connector	761916
27	1	Rear cover gasket	751277
29	4	O-ring	751806
30	1	Back cover	761204
31	4	Screw	180118
34	1	Screw	189492
35	1	Front cover gasket	751266
36	1	Cover	751310
37	4	Screw	180599
38	1	Cable assembly	761879
40	1	Pressure relief	751458
42	1	Cable clamp (4" only - not shown)	755138
43	1	Base extension	750151
44	1	Spacer block	760605
45	1	Screw	180489
46L	1	Wire harness	761906
47	3	Lockwasher	189985
48	1	Ground strap (not shown)	761506
49	1	Stem adapter (1" only - not shown)	760828
50	2	Retainer rings	750196
51a	1	Stem guide / proximity switch	762729
51b	1	Stem guide / micro switch	760551
52	1	Quick Exhaust	762365
53	1	1/4" S.S. Tube	761799
54	1	1/4 x 1/4 Elbow	762070
55	1	1/8 x 1/4 Elbow	761586
56	1	Bushing	761798
57	1	Nipple	761795

*10A - Optional mounting block - aluminum material for high vibration applications 9613602992

*11A - Optional spacer block - aluminum material for high vibration applications 9613602993



This is Alfa Laval

Alfa Laval is active in the areas of Energy, Marine, and Food & Water, offering its expertise, products, and service to a wide range of industries in some 100 countries. The company is committed to optimizing processes, creating responsible growth, and driving progress – always going the extra mile to support customers in achieving their business goals and sustainability targets.

Alfa Laval's innovative technologies are dedicated to purifying, refining, and reusing materials, promoting more responsible use of natural resources. They contribute to improved energy efficiency and heat recovery, better water treatment, and reduced emissions. Thereby, Alfa Laval is not only accelerating success for its customers, but also for people and the planet. Making the world better, every day. It's all about **Advancing better™**.

How to contact Alfa Laval

Contact details for all countries are continually updated on our web site. Please visit www.alfalaval.com to access the information.

Distributed by:

NELSON JAMESON
INC.

800-826-8302 nelsonjameson.com